

CHAPTER

55

STABILIZERS

CESSNA®
MODEL 208
 ILLUSTRATED PARTS CATALOG

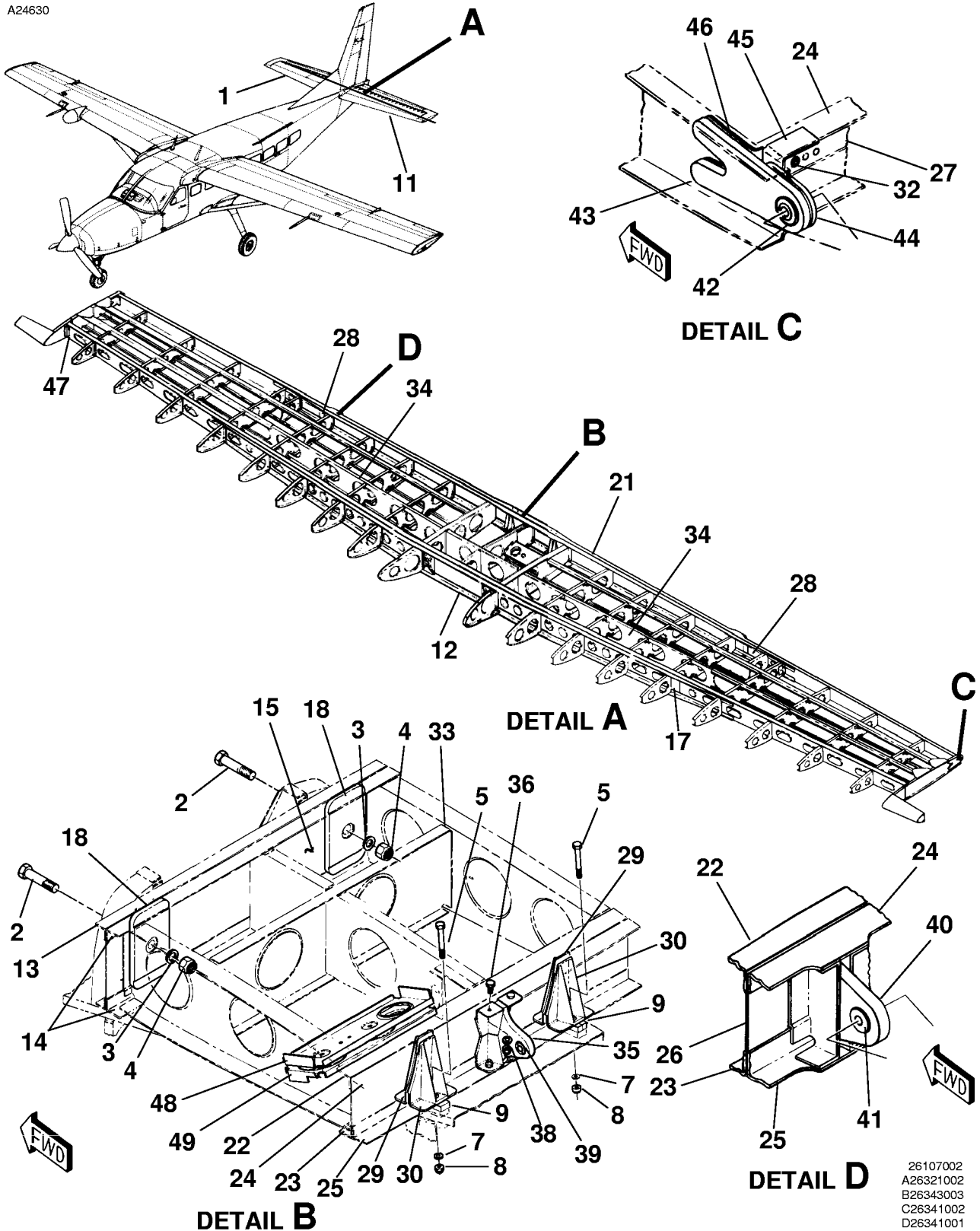
CHAPTER SECTION SUBJECT		NUMBER OF PAGES	DATE
55 - TITLE			
55 - LIST OF EFFECTIVE PAGES			
55 - RECORD OF TEMPORARY REVISIONS			
55 - TABLE OF CONTENTS			
55-10-00	Figure 01	4	Mar 1/2015
55-10-00	Figure 02	6	Mar 1/2015
55-10-01	Figure 01	2	Dec 1/2012
55-20-00	Figure 01	6	Mar 1/2020
55-20-00	Figure 02	6	Dec 1/2012
55-30-00	Figure 01	4	Dec 1/2012
55-30-00	Figure 02	4	Dec 1/2012
55-30-00	Figure 03	4	Mar 1/2019
55-30-00	Figure 04	8	Mar 1/2020
55-40-00	Figure 01	4	Mar 1/2015
55-40-00	Figure 02	4	Sep 1/2019
55-40-00	Figure 03	4	Sep 1/2019
55-40-00	Figure 04	4	Mar 1/2015
55-40-00	Figure 05	4	Sep 1/2017
55-40-00	Figure 06	4	Mar 1/2015
55-40-00	Figure 07	4	Mar 1/2018

CESSNA®
MODEL 208
 ILLUSTRATED PARTS CATALOG

<u>SUBJECT</u>	<u>CHAPTER SECTION SUBJECT</u>	<u>FIGURE</u>	<u>EFFECTIVITY</u>	
			<u>START</u>	<u>END</u>
HORIZONTAL STABILIZER INSTALLATION	55-10-00	01	0001 B0001	0221 B0318
HORIZONTAL STABILIZER INSTALLATION	55-10-00	02	0222 B0319	& ON & ON
STABILIZER SKINS AND FAIRINGS ELEVATOR INSTALLATION	55-10-01 55-20-00	01 01	0001 B0001	0221 B0318
ELEVATOR INSTALLATION	55-20-00	02	0222 B0319	& ON & ON
VERTICAL FIN INSTALLATION	55-30-00	01		
VERTICAL FIN INSTALLATION	55-30-00	02		
VERTICAL FIN INSTALLATION	55-30-00	03		
VERTICAL FIN INSTALLATION	55-30-00	04		
RUDDER INSTALLATION	55-40-00	01		
RUDDER INSTALLATION - 208	55-40-00	02		
RUDDER INSTALLATION - 208	55-40-00	03	0222	0395
RUDDER INSTALLATION - 208B	55-40-00	04		
RUDDER INSTALLATION - 208B	55-40-00	05		
RUDDER INSTALLATION LONG CHORD - 208	55-40-00	06		
RUDDER INSTALLATION LONG CHORD - 208	55-40-00	07		

CESSNA®
MODEL 208
 ILLUSTRATED PARTS CATALOG

A24630



26107002
 A26321002
 B26343003
 C26341002
 D26341001

HORIZONTAL STABILIZER INSTALLATION
 FIGURE 01 (SHEET 1)

CESSNA®
MODEL 208
ILLUSTRATED PARTS CATALOG

FIG ITEM	PART NUMBER	NOMENCLATURE	UNITS PER ASSY		
			1	2	3
01		HORIZONTAL STABILIZER INSTALLATION REFER TO NOTE 3	0001	0221	RF
-			B0001	B0318	
1	2632000-1	STABILIZER ASSY-HORIZONTAL FSO 2632000-48 REFER TO 55-10-00 FIGURE 02 REFER TO NOTE 4			NP
2	S3461-61	BOLT MPI			02
3	NAS1149F0863P	WASHER			02
4	MS21044N8	NUT			02
5	AN4-14A	BOLT	0001	0221	04
- 6	AN4-12A	BOLT	B0001	B0318	04
7	NAS1149F0463P	WASHER			08
8	MS21044N4	NUT			04
9	2630003-1	SHIM .386 TAPERED 2024 T351	0001	0221	02
- 10	2630003-2	SHIM .163 TAPERED 2024 T4	B0001	B0318	02 R
11		STABILIZER SKINS AND FAIRINGS REFER TO 55-10-01 FIGURE 01			RF
12	2632024-1	FRONT SPAR ASSY-STABILIZER FWD			01
13	2632024-4	SPAR CAP-FWD UPR & LWR S2462-4			02
14	2632024-5	SPAR CAP-AFT UPR & LWR S1965-8			02
15	2632024-2	WEB-INBD .032 2024 T3			01
- 16	2632024-3	WEB-OUTBD .025 2024 T3			02
17	2632024-6	SPLICE PLATE .032 2024 T3			02
18	2632018-1	ATTACH FITTING-STABILIZER ATTACH			02
		ATTACHING PARTS			
- 19	NAS1465H05	PIN			06
- 20	NAS1080-05	COLLAR			06
		—*—			
21	2632023-1	REAR SPAR ASSY-STABILIZER			01
22	2632023-2	SPAR CAP-FWD UPR S1965-9			01
23	2632023-4	SPAR CAP-FWD LWR S1965-9			01
24	2632023-3	SPAR CAP-AFT UPR S2462-5			01
25	2632023-5	SPAR CAP-AFT LWR S2462-5			01
26	2632023-6	WEB-INBD .032 2024 T3			01
27	2632023-7	WEB-OUTBD .025 2024 T3			02
28	2632023-8	SPLICE PLATE .032 2024 T3			02
29	2632027-3	SUPPORT-FWD			02
30	2632027-2	SUPPORT-AFT			02
- 31	NAS686A08	NUTPLATE			10
32	NAS682A3	NUTPLATE			02
33	2632021-23	AUX SPAR-CENTER .032 2024 T42			01
34	2632022-1	AUX SPAR .032 2024 T42			02
35	2632020-15	HINGE ASSY-ELEVATOR REFER TO NOTE 2			01
		ATTACHING PARTS			
36	NAS464P3A3	BOLT			04
- 37	NAS1149F0332P	WASHER			04
38	MS21044N3	NUT			04
		—*—			
39	MS24461-5	BEARING REFER TO NOTE 2			01
40	2632020-2	HINGE ASSY-ELEVATOR SS 55.00 REFER TO NOTE 1			02
41	MS24461-5	BEARING REFER TO NOTE 1			01
42	MS24461-5	BEARING REFER TO NOTE 1			01
43	2632020-8	SUPPORT-OUTBD REFER TO NOTE 1			02
44	2632020-9	SUPPORT-INBD REFER TO NOTE 1			02
45	2632020-7	SUPPORT-SPAR .040 2024 T42			02
46	2632011-5	CLIP .040 2024 T42			02
47	2632011-11	ANGLE .040 2024 T42			02
48	2632025-1	BRACKET-PULLEY UPR .032 2024 T42			01
49	2632025-3	BRACKET ASSY-PULLEY LWR .032 2024 T42			01
- 50	MS21069L4	NUTPLATE			02
- 51	2632011-17	RUB STRIP S.S. 0.00 AND 9.90			04
- 52	2632011-18	RUB STRIP S.S. 33.00			04

NOTE 1—ON INITIAL SPARE REPLACEMENT REFER TO SK208-102 AND SK208-106.

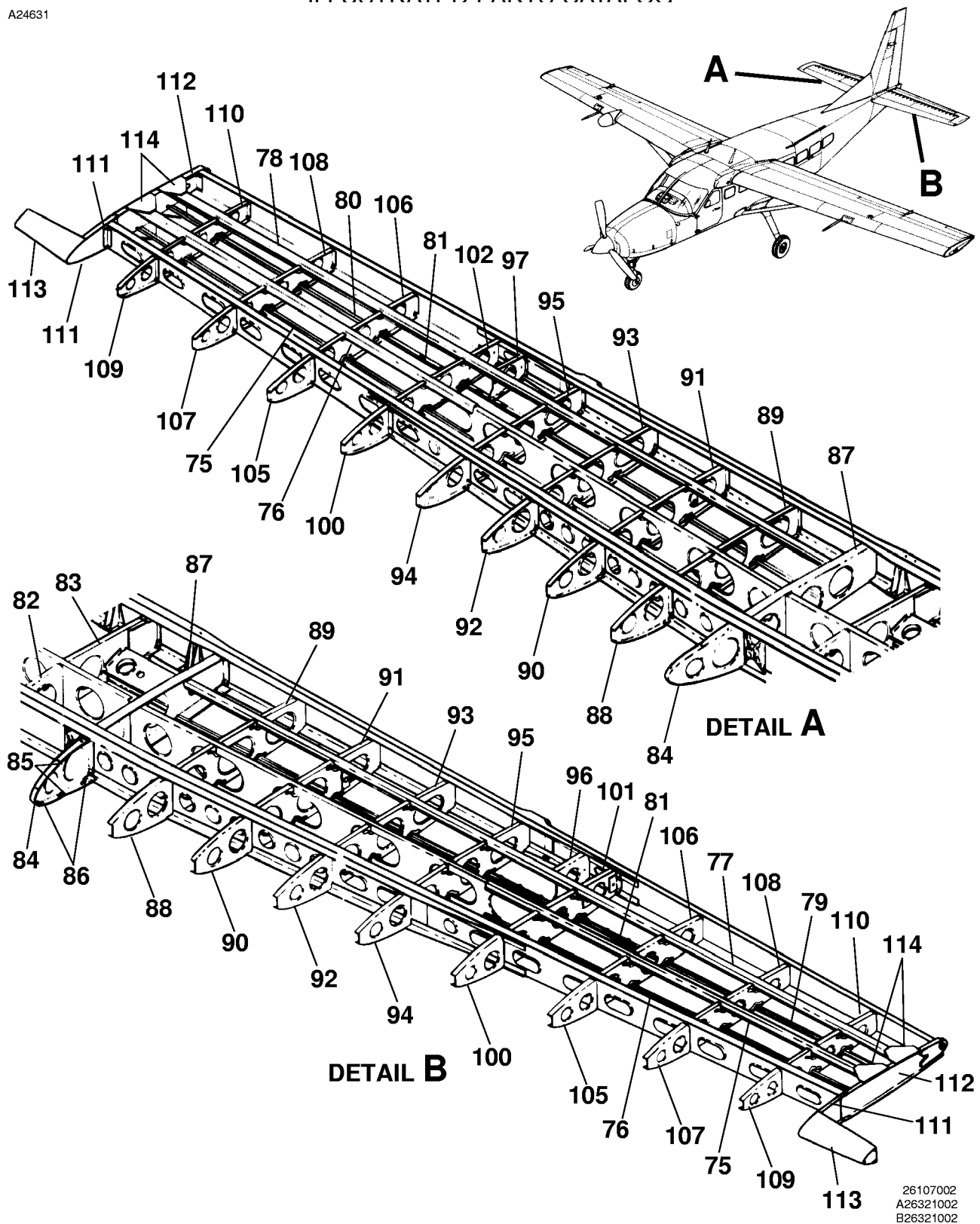
NOTE 2—ON INITIAL SPARE REPLACEMENT REFER TO SK208-107 ELEVATOR CENTER PIVOT ARM KIT.

NOTE 3—AIRPLANES -0001 THRU -0221 AND -B0001 THRU -B0318 NOT INCORPORATING SK208-102, SK208-106 AND SK208-107.

NOTE 4—WHEN REPLACING 2632000-1 WITH 2632000-48, ELEVATOR MUST COMPLY WITH CAB93-12.

CESSNA®
MODEL 208
 ILLUSTRATED PARTS CATALOG

A24631



HORIZONTAL STABILIZER INSTALLATION
 FIGURE 01 (SHEET 2)

26107002
 A26321002
 B26321002

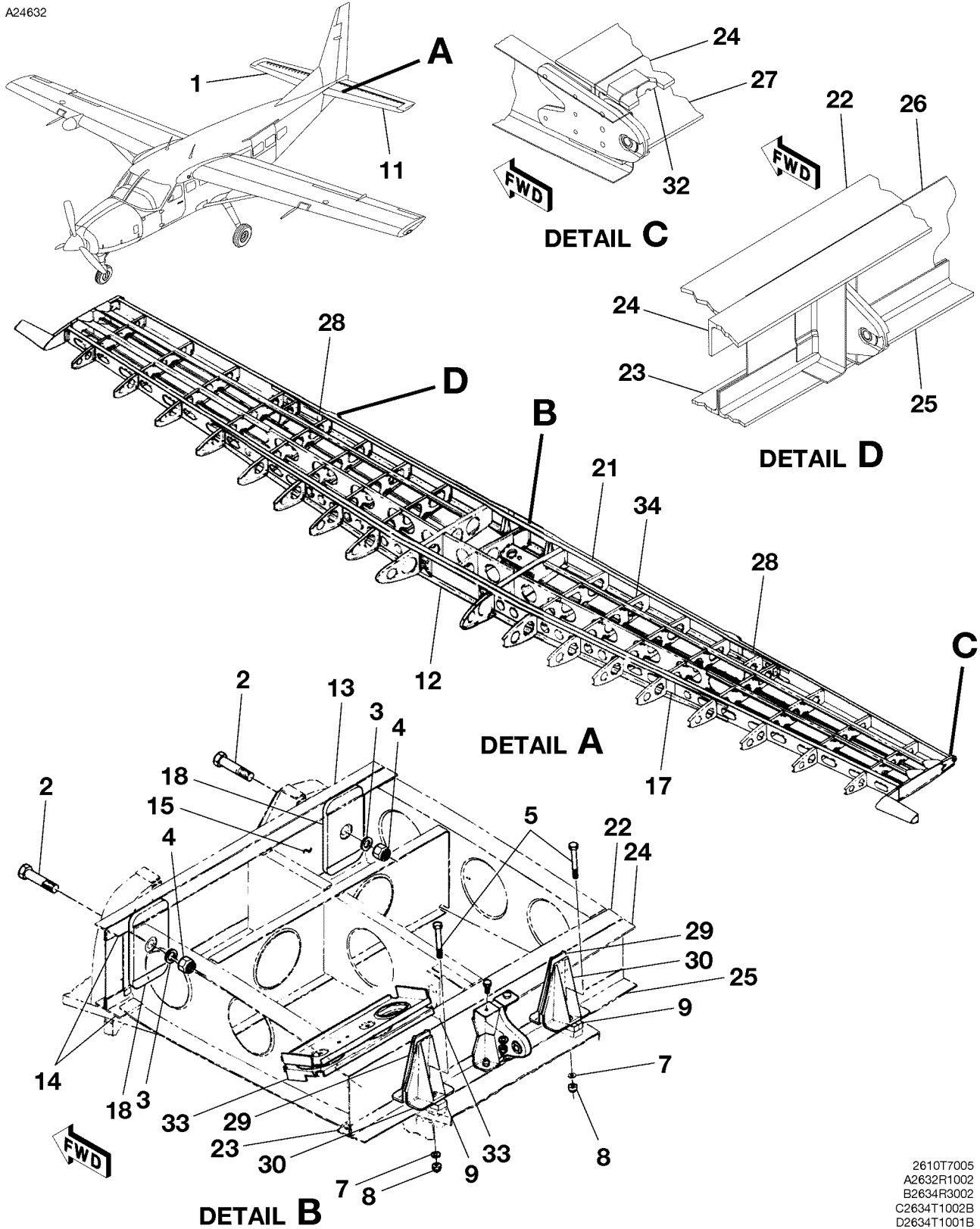
CESSNA®
MODEL 208
ILLUSTRATED PARTS CATALOG

FIG ITEM	PART NUMBER	NOMENCLATURE	UNITS
			PER ASSY
01			
75	2632000-11	.. STRINGER-UPR LH & LWR RH S1662-2	02
76	2632000-29	.. STRINGER-LWR LH & UPR RH S1662-2	02
77	2632000-10	.. STRINGER-UPR LH S1113-1	01
78	2632000-12	.. STRINGER-UPR RH S1113-1	01
79	2632000-17	.. STRINGER ASSY-LWR LH S1113-1	01
80	2632000-16	.. STRINGER ASSY-LWR RH S1113-1	01
81	MS21059L08K	.. NUTPLATE	07
82	2632021-25	.. RIB SS 0.00 .032 2024 T42	01
83	2632021-35	.. RIB ASSY SS 0.00 .032 2024 T42	01
84	2632021-37	.. RIB ASSY CANT SS 11.50 .032 2024 T42	02
85	MS21059L3	.. NUTPLATE	02
86	MS21061L3	.. NUTPLATE	04
87	2632021-19	.. RIB SS 9.90 .032 2024 T42	01
88	2632021-2	.. RIB-LEADING EDGE SS 22.00 .025 2024 T42	02
89	2632021-11	.. RIB SS 22.00 .025 2024 T42	02
90	2632021-3	.. RIB-LEADING EDGE SS 33.00 .025 2024 T42	02
91	2632021-10	.. RIB SS 33.00 .025 2024 T42	02
92	2632021-4	.. RIB-LEADING EDGE SS 44.00 .025 2024 T42	02
93	2632021-13	.. RIB SS 44.00 .025 2024 T42	02
94	2632021-5	.. RIB-LEADING EDGE SS 55.00 .025 2024 T42	02
95	2632021-12	.. RIB SS 55.00 .040 2024 T42	02
96	2632021-29	.. RIB ASSY-LH SS 63.80 .040 2024 T42	01
97	2632021-31	.. RIB ASSY-RH SS 63.80 .040 2024 T42	01
- 98	NAS687A08	.. NUTPLATE	01
- 99	NAS686A08	.. NUTPLATE	01
100	2632021-6	.. RIB-LEADING EDGE SS 67.80 .020 2024 T42	02
101	2632021-27	.. RIB ASSY-LH SS 67.80 .020 2024 T42	01
102	2632021-33	.. RIB ASSY-RH SS 67.80 .020 2024 T42	01
- 103	MS21061L08K	.. NUTPLATE	02
- 104	MS21059L08K	.. NUTPLATE	02
105	2632021-7	.. RIB-LEADING EDGE SS 80.60 .020 2024 T42	02
106	2632021-14	.. RIB SS 80.60 .020 2024 T42	02
107	2632021-8	.. RIB-LEADING EDGE SS 93.40 .020 2024 T42	02
108	2632021-21	.. RIB SS 93.40 .020 2024 T42	02
109	2632021-9	.. RIB-LEADING EDGE SS 106.20 .020 2024 T42	02
110	2632021-15	.. RIB SS 106.20 .020 2024 T42	02
111	2632021-18	.. RIB-LEADING EDGE SS 114.00 .032 2024 T42	02
112	2632021-17	.. RIB SS 114.00 .032 2024 T42 REFER TO NOTE 1	02
113	2632011-7	.. TIP ASSY-STABILIZER FSO 2632011-19	NP
- 113A	2632011-19	.. TIP ASSY-STABILIZER	02
114	2632011-6	.. GUSSET .025 2024 T42	08
- 116		.. SK208-106 RH ELEVATOR HINGE KIT	RF

NOTE 1—ON INITIAL SPARE REPLACEMENT REFER TO SK208-102 LH ELEVATOR HINGE KIT.

CESSNA®
MODEL 208
 ILLUSTRATED PARTS CATALOG

A24632



HORIZONTAL STABILIZER INSTALLATION
 FIGURE 02 (SHEET 1)

2610T7005
 A2632R1002
 B2634R3002
 C2634T1002B
 D2634T1001B

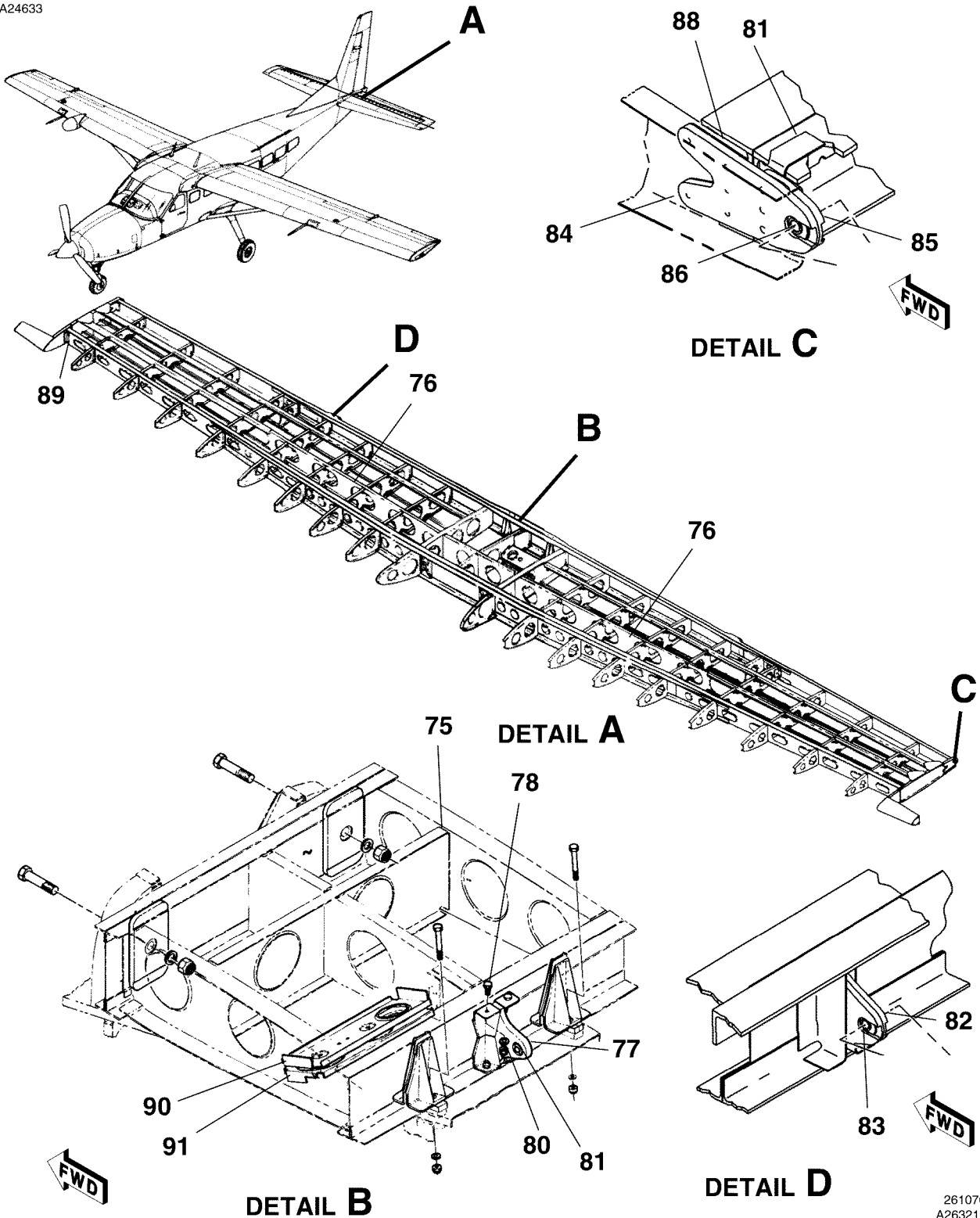
CESSNA®
MODEL 208
ILLUSTRATED PARTS CATALOG

FIG ITEM	PART NUMBER	NOMENCLATURE	UNITS PER ASSY		
			1	2	3
02		HORIZONTAL STABILIZER INSTALLATION REFER TO NOTE 1	0222	& ON	RF
-			B0319	& ON	
1	2632000-38	. STABILIZER ASSY-HORIZONTAL FSO 2632000-48	0222	0371	NP
			B0319	B1043	
- 1A	2632000-46	. STABILIZER ASSY-HORIZONTAL FSO 2632000-48	0372	0376	NP
			B1044	B1054	
- 1B	2632000-47	. STABILIZER ASSY-HORIZONTAL FSO 2632000-48	0377	0499	NP
			B1055	B2001	
- 1C	2632000-48	. STABILIZER ASSY-HORIZONTAL	0500	0561	01 R
			B2002	B5123	
- 1D	2632000-49	. STABILIZER ASSY-HORIZONTAL	0562	& ON	01 R
			B5124	& ON	
2	S3461-61	. BOLT MPI			02
3	NAS1149F0863P	. WASHER			02
4	MS21044N8	. NUT			02
5	AN4-14A	. BOLT	0222	0315	04
			0518	& ON	
- 5A	AN4-15A	. BOLT	0316	0517	04
- 6	AN4-12A	. BOLT	B0319	& ON	04
7	NAS1149F0463P	. WASHER			08
8	MS21044N4	. NUT			04
9	2630003-1	. SHIM .386 TAPERED 2024 T351	0222	0315	02
			0518	& ON	
- 9A	2630003-3	. SHIM .500 STRAIGHT 2024 T351	0316	0517	02
- 10	2630003-2	. SHIM .163 TAPERED 2024 T4	B0319	& ON	02
11		. STABILIZER SKINS AND FAIRINGS REFER TO 55-10-01 FIGURE 01			RF
12	2632024-1	. FRONT SPAR ASSY-STABILIZER			01
13	2632024-4 CAP-FWD UPR & LWR S2462-4			02
14	2632024-5 CAP-AFT UPR & LWR S1965-8			02
15	2632024-2 WEB-INBD .032 2024 T3			01
- 16	2632024-3 WEB-OUTBD .025 2024 T3			02
17	2632024-6 SPLICE PLATE .032 2024 T3			02
18	2632018-1 ATTACH FITTING-STABILIZER			02
- 19	NAS1465H05 PIN-STABILIZER FITTING ATTACH			06
- 20	NAS1080-05 COLLAR-STABILIZER FITTING ATTACH			06
21	2632023-1 REAR SPAR ASSY-STABILIZER AFT	0222	0314	01
			B0319	B0777	
- 21A	2632023-9 REAR SPAR ASSY-STABILIZER AFT FSO 2632023-11	0315	0330	NP
			B0778	B0863	
- 21B	2632023-11 REAR SPAR ASSY-STABILIZER	0331	& ON	01
			B0864	& ON	
22	2632023-2 CAP-FWD UPR S1965-9			01
23	2632023-4 CAP-FWD LWR S1965-9			01
24	2632023-3 CAP-AFT UPR S2462-5			01
25	2632023-5 CAP-AFT LWR S2462-5			01
26	2632023-6 WEB-INBD .032 2024 T3	0222	0314	01
			B0319	B0777	
- 26A	2632023-10 WEB-INBD .032 2024 T3	0315	& ON	01
			B0778	& ON	
27	2632023-7 WEB-OUTBD .025 2024 T3			02
28	2632023-8 SPLICE PLATE .032 2024 T3			02
29	2632027-3 SUPPORT-FWD	0222	0330	02
			B0319	B0863	
- 29A	2632027-11 SUPPORT-FWD	0331	& ON	02
			B0864	& ON	
30	2632027-2 SUPPORT-AFT	0222	0330	02
			B0319	B0863	
- 30A	2632027-10 SUPPORT-AFT	0331	& ON	02
			B0864	& ON	
- 31	NAS686A08 NUTPLATE			10
32	NAS682A3 NUTPLATE			02
33	2632011-17 RUB STRIP SS. 0.00 AND 9.90			02
34	2632011-18 RUB STRIP SS. 33.00			02

NOTE 1—AIRPLANES -0222 & ON AND -B0319 & ON, AND AIRPLANES -0001 THRU -0221 AND -B0001 THRU -B0318 INCORPORATING SK208-102, SK208-106 AND SK208-107.

CESSNA®
MODEL 208
 ILLUSTRATED PARTS CATALOG

A24633



HORIZONTAL STABILIZER INSTALLATION
 FIGURE 02 (SHEET 2)

26107002
 A26321002
 B26343002
 C2634T1002B
 D2634T1001B

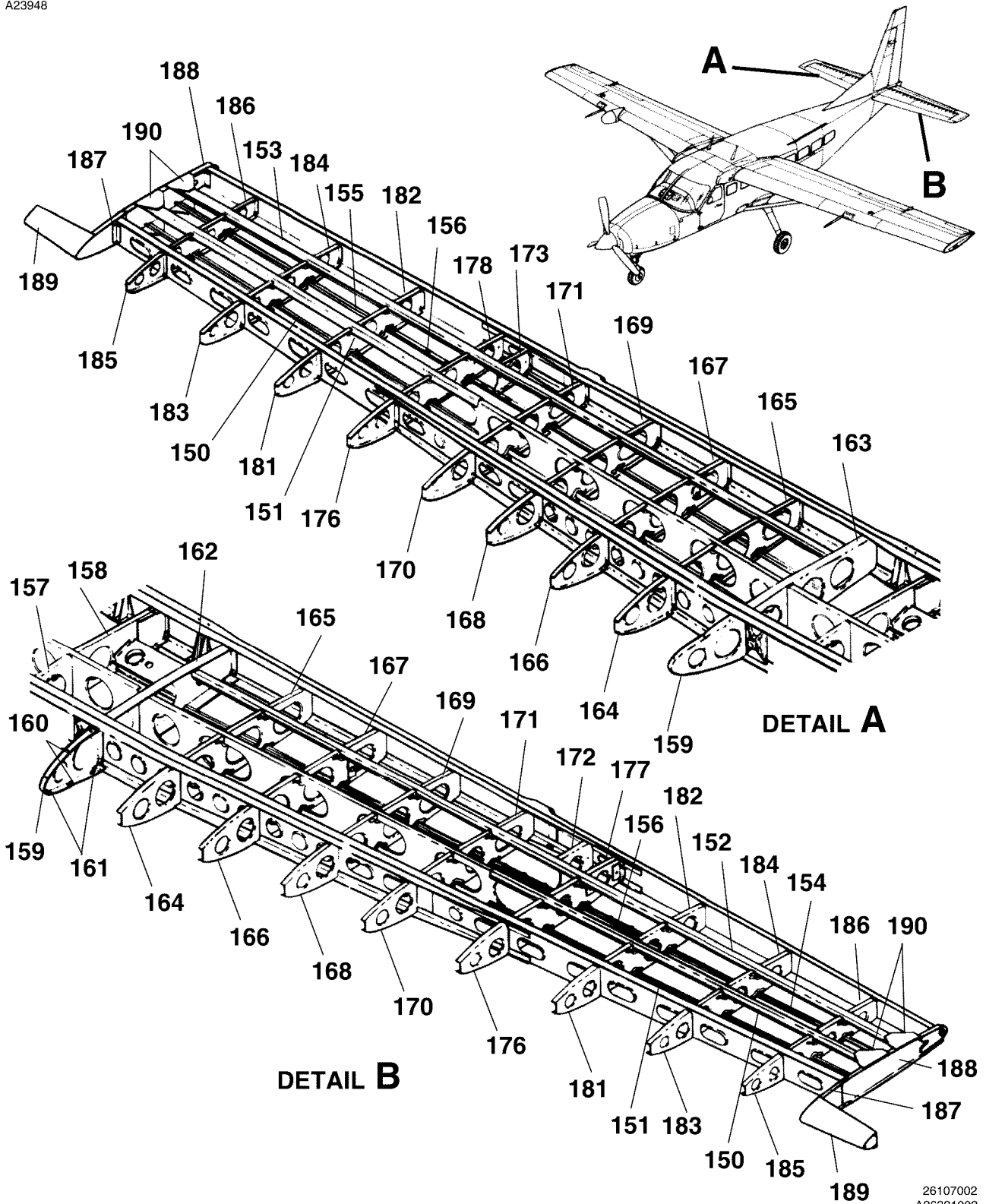
**CESSNA®
MODEL 208
ILLUSTRATED PARTS CATALOG**

FIG ITEM	PART NUMBER	1 2 3 4 5 6 7	NOMENCLATURE	UNITS PER ASSY	
02					
75	2632021-23		AUX SPAR-CENTER .032 2024 T42		01
76	2632022-1		AUX SPAR .032 2024 T42		02
77	2632055-1		HINGE ASSY-ELEVATOR SS 0.00	0222 0314	01
				B0319 B0777	
- 77A	2632055-4		HINGE ASSY-ELEVATOR SS 0.00	0315 & ON	01
				B0778 & ON	
78	NAS464P3A3		BOLT-HINGE ASSY ATTACH		04
- 79	NAS1149F0332P		WASHER-HINGE ASSY ATTACH		04
80	MS21044N3		NUT-HINGE ASSY ATTACH		04
81	MS27641-4		BEARING		01
82	2634022-1		HINGE ASSY-ELEVATOR SS 55.00		02
83	MS27641-4		BEARING		01
84	2634021-1		BEARING PLATE-OUTBD		02
85	2634021-2		BEARING PLATE-INBD		02
86	MS27641-4		BEARING		02
- 87	2632020-7		SUPPORT-OUTBD SPAR .040 2024 T42		02
88	2632011-5		CLIP .040 2024 T42		02
89	2632011-11		ANGLE .040 2024 T42		02
90	2632025-1		BRACKET	0001 0561	01 R
				B0001 B5123	
- 90A	2632025-5		BRACKET ELEVATOR TRIM	0562 & ON	01 R
				B5124 & ON	
91	2632025-3		BRACKET ASSY	0001 0561	01 R
				B0001 B5123	
- 91A	2632025-7		BRACKET ASSY ELEVATOR TRIM	0562 & ON	01 R
				B5124 & ON	
- 92	MS21069L4		NUTPLATE		02

- ITEM NOT ILLUSTRATED

CESSNA®
MODEL 208
 ILLUSTRATED PARTS CATALOG

A23948



26107002
 A26321002
 B26321002

HORIZONTAL STABILIZER INSTALLATION
 FIGURE 02 (SHEET 3)

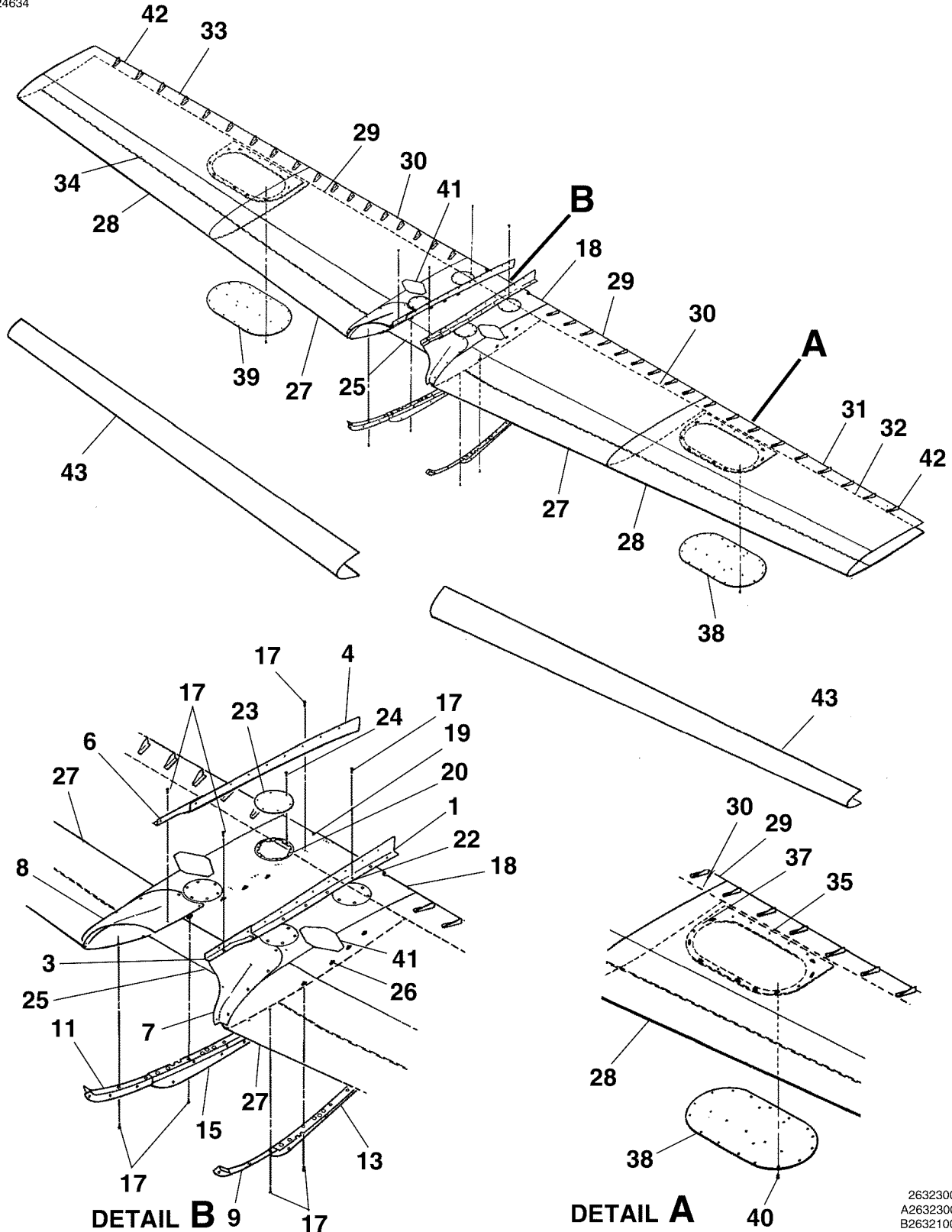
CESSNA®
MODEL 208
ILLUSTRATED PARTS CATALOG

FIG ITEM	PART NUMBER	1 2 3 4 5 6 7	NOMENCLATURE	UNITS PER ASSY	
02					
150	2632000-11		.. STRINGER-UPR LH & LWR RH S1662-2		02
151	2632000-29		.. STRINGER-LWR LH & UPR RH S1662-2		02
152	2632000-10		.. STRINGER-UPR LH S1113-1		01
153	2632000-12		.. STRINGER-UPR RH S1113-1		01
154	2632000-17		.. STRINGER ASSY-LWR LH S1113-1		01
155	2632000-16		.. STRINGER ASSY-LWR RH S1113-1		01
156	MS21059L08K		.. NUTPLATE		07
157	2632021-25		.. RIB SS 0.00 .032 2024 T42		01
158	2632021-35		.. RIB ASSY SS 0.00 .032 2024 T42	0222 0314	01
- 158A	2632021-42		.. RIB ASSY SS 0.00 .032 2024 T42	B0319 B0777 0315 & ON B0778 & ON	01
159	2632021-37		.. RIB ASSY CANT SS 11.50 .032 2024 T42		02
160	MS21059L3		.. NUTPLATE		02
161	MS21061L3		.. NUTPLATE		04
162	2632021-19		.. RIB-LH SS 9.90 .032 2024 T42		01
163	2632021-36		.. RIB-RH SS 9.90 .032 2024 T42		01
164	2632021-2		.. RIB-LEADING EDGE SS 22.00 .025 2024 T42		02
165	2632021-11		.. RIB SS 22.00 .025 2024 T42		02
166	2632021-3		.. RIB-LEADING EDGE SS 33.00 .025 2024 T42		02
167	2632021-10		.. RIB SS 33.00 .025 2024 T42		02
168	2632021-4		.. RIB-LEADING EDGE SS 44.00 .025 2024 T42		02
169	2632021-13		.. RIB SS 44.00 .025 2024 T42		02
170	2632021-5		.. RIB-LEADING EDGE SS 55.00 .025 2024 T42		02
171	2632021-12		.. RIB SS 55.00 .040 2024 T42		02
172	2632021-29		.. RIB ASSY-LH SS 63.80 .040 2024 T42		01
173	2632021-31		.. RIB ASSY-RH SS 63.80 .040 2024 T42		01
- 174	NAS687A08		.. NUTPLATE		01
- 175	NAS686A08		.. NUTPLATE		01
176	2632021-6		.. RIB-LEADING EDGE SS 67.80 .020 2024 T42		02
177	2632021-27		.. RIB ASSY-LH SS 67.80 .020 2024 T42 FSO 2632021-43	0222 0330 B0319 B0863	NP
- 177A	2632021-43		.. RIB ASSY-LH-LH SS 67.80 .020 2024 T42	0331 & ON B0864 & ON	01
178	2632021-33		.. RIB ASSY-RH SS 67.80 .020 2024 T42 FSO 2632021-44	0222 0330 B0319 B0863	NP
- 178A	2632021-44		.. RIB ASSY-RH-RH SS 67.80 .020 2024 T42	0331 & ON B0864 & ON	01
- 179	MS21061L08K		.. NUTPLATE		02
- 180	MS21059L08K		.. NUTPLATE		02
181	2632021-7		.. RIB-LEADING EDGE SS 80.60 .020 2024 T42		02
182	2632021-14		.. RIB SS 80.60 .020 2024 T42		02
183	2632021-8		.. RIB-LEADING EDGE SS 93.40 .020 2024 T42		02
184	2632021-21		.. RIB SS 93.40 .020 2024 T42		02
185	2632021-9		.. RIB-LEADING EDGE SS 106.20 .020 2024 T42		02
186	2632021-15		.. RIB SS 106.20 .020 2024 T42		02
187	2632021-18		.. RIB-LEADING EDGE SS 114.00 .032 2024 T42		02
188	2632021-38		.. RIB SS 114.00 .XXX 2024 T42		02
189	2632011-7		.. TIP ASSY-STABILIZER FSO 2632011-19	0222 0499 B0319 B2001	NP
- 189A	2632011-19		.. TIP ASSY-STABILIZER	0500 & ON B2002 & ON	02
190	2632011-6		.. GUSSET .025 2024 T42		08

- ITEM NOT ILLUSTRATED

CESSNA®
MODEL 208
 ILLUSTRATED PARTS CATALOG

A24634



26323001
 A26323001
 B26321001

STABILIZER SKINS AND FAIRINGS
 FIGURE 01 (SHEET 1)

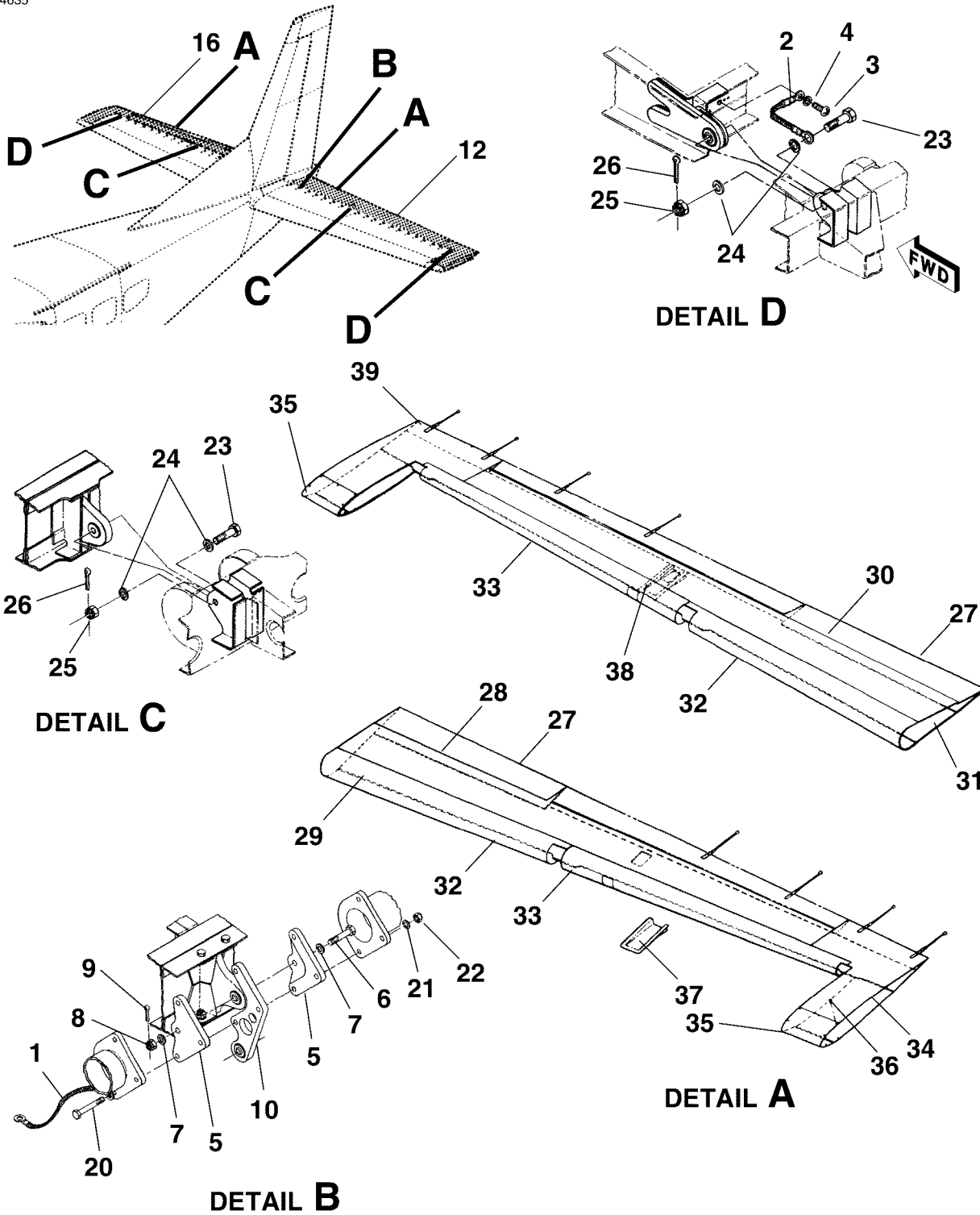
CESSNA®
MODEL 208
ILLUSTRATED PARTS CATALOG

FIG ITEM	PART NUMBER	NOMENCLATURE	UNITS PER ASSY	
			1 2 3 4 5 6 7	
01		STABILIZER SKINS AND FAIRINGS		RF
-				
1	2630005-11	. FAIRING-STABILIZER UPR LH FSO 2630012-1	0001 0293	NP
- 1A	2630012-1	. FAIRING-STABILIZER UPR LH	0294 & ON	01
- 2	2630011-3	. FAIRING-STABILIZER UPR LH FSO 2630013-1	B0001 B0717	NP
- 2A	2630013-1	. FAIRING-STABILIZER UPR LH	B0718 & ON	01
3	2630006-3	. FAIRING-STABILIZER UPR FWD LH	0175 0293	01
			B0205 B0717	
4	2630005-12	. FAIRING-STABILIZER UPR RH FSO 2630012-2	0001 0293	NP
- 4A	2630012-2	. FAIRING-STABILIZER UPR RH	0294 & ON	01
- 5	2630011-4	. FAIRING-STABILIZER UPR RH FSO 2630013-2	B0001 B0717	NP
- 5A	2630013-2	. FAIRING-STABILIZER UPR RH	B0718 & ON	01
6	2630006-4	. FAIRING-STABILIZER UPR FWD RH	0175 0293	01
			B0205 B0717	
7	2630005-13	. FAIRING-STABILIZER UPR FWD LH		01
8	2630005-14	. FAIRING-STABILIZER UPR FWD RH		01
9	2630004-1	. FAIRING-STABILIZER LWR FWD LH	0001 & ON	01
- 10	2630004-3	. FAIRING-STABILIZER LWR FWD LH	B0001 & ON	01
11	2630004-2	. FAIRING-STABILIZER LWR FWD RH	0001 & ON	01
- 12	2630004-4	. FAIRING-STABILIZER LWR FWD RH	B0001 & ON	01
13	2630005-1	. FAIRING ASSY-STABILIZER LWR LH	0001 & ON	01
- 14	2630009-1	. FAIRING ASSY-STABILIZER LWR LH	B0001 & ON	01
15	2630005-2	. FAIRING ASSY-STABILIZER LWR RH	0001 & ON	01
- 16	2630009-2	. FAIRING ASSY-STABILIZER LWR RH	B0001 & ON	01
17	AN525-10R6	. SCREW FAIRING ATTACH		74
18	2632000-15	. SKIN ASSY-UPR CENTER		01
19	MS21059L3K	. NUTPLATE		04
20	S1443-7S	. DOUBLER ASSY		04
- 21	NAS680C08MK	. NUTPLATE		06
22	MS21059L3K	. NUTPLATE-FAIRING ATTACH		12
23	S225-25S	. PLATE-INSPECTION		04
		ATTACHING PARTS		
24	MS24693-S48	. SCREW		06
		—*—		
25	2632000-13	. SKIN ASSY-LWR CENTER		01
26	MS21059L3K	. NUTPLATE-FAIRING ATTACH		08
27	2632000-2	. SKIN ASSY-LEADING EDGE INBD		02
28	2632000-3	. SKIN ASSY-LEADING EDGE OUTBD		02
29	2632000-31	. SKIN ASSY-UPR LH & LWR RH INBD	0001 0355	02
			B0001 B0932	
- 29A	2632000-39	. SKIN ASSY-UPR LH & LWR RH INBD	0356 & ON	02
			B0933 & ON	
30	2632000-32	. SKIN ASSY-LWR LH & UPR RH INBD	0001 0355	02
			B0001 B0932	
- 30A	2632000-40	. SKIN ASSY-LWR LH & UPR RH INBD	0356 & ON	02
			B0933 & ON	
31	2632000-37	. SKIN ASSY-UPR LH OUTBD	0001 0355	02
			B0001 B0932	
- 31A	2632000-45	. SKIN ASSY-UPR LH OUTBD	0356 & ON	02
			B0933 & ON	
32	2632000-35	. SKIN ASSY-LWR LH OUTBD	0001 0355	02
			B0001 B0932	
- 32A	2632000-43	. SKIN ASSY-LWR LH OUTBD	0356 & ON	02
			B0933 & ON	
33	2632000-36	. SKIN ASSY-UPR RH OUTBD	0001 0355	01
			B0001 B0932	
- 33A	2632000-44	. SKIN ASSY-UPR RH OUTBD	0356 & ON	01
			B0933 & ON	
34	2632000-34	. SKIN ASSY-LWR RH OUTBD	0001 0355	01
			B0001 B0932	
- 34A	2632000-42	. SKIN ASSY-LWR RH OUTBD	0356 & ON	01
			B0933 & ON	
35	2632000-22	. DOUBLER-OUTER		02
- 36	2632000-20	. DOUBLER-INNER		02
37	MS21059L08K	. NUTPLATE		16
38	2632000-21	. COVER LH		01
39	2632000-14	. COVER RH		01
		ATTACHING PARTS		
40	AN525-832R6	. SCREW		26
		—*—		
41	2632011-14	. GUSSET		04
42	2632029-1	. VORTEX GENERATOR		36
43	1232040-6	. ABRASION BOOT-STABILIZER	0061 & ON	02 R
			B0214 & ON	

- ITEM NOT ILLUSTRATED

CESSNA®
MODEL 208
 ILLUSTRATED PARTS CATALOG

A24635



ELEVATOR INSTALLATION
 FIGURE 01 (SHEET 1)

26107001
 A26343001
 B26342001
 C26341001
 D26341002

CESSNA® MODEL 208 ILLUSTRATED PARTS CATALOG

FIG ITEM	PART NUMBER	NOMENCLATURE	UNITS PER ASSY		
			1	2	3
01		ELEVATOR INSTALLATION REFER TO NOTE 2	0001	0221	RF
-			B0001	B0318	
1	1570102-29	. STRAP ASSY			01
2	1570102-28	. STRAP ASSY			02
		ATTACHING PARTS			
3	MS35207-262	. SCREW			01
4	NAS1149F0332P	. WASHER			01
		*—			
5	2634011-1	. PLATE-ELEVATOR HINGE REFER TO NOTE 1			02
		ATTACHING PARTS			
6	AN5-13	. BOLT REFER TO NOTE 1			01
7	NAS1149F0563P	. WASHER REFER TO NOTE 1			02
8	MS17825-5	. NUT REFER TO NOTE 1			01
9	MS24665-136	. COTTER PIN			01
		*—			
10	2634010-1	. PUSHROD ARM ASSY-ELEVATOR REFER TO NOTE 1			01
- 11	S3951-4	. BEARING REFER TO NOTE 1			01
- 12	2634000-1	. ELEVATOR ASSY-LH REFER TO NOTE 3	0001	0215	NP R
- 13	2634000-41	. ELEVATOR ASSY-LH REFER TO NOTE 3	0216	0221	NP R
- 14	2634000-39	. ELEVATOR ASSY-LH REFER TO NOTE 4	B0001	B0298	NP R
- 15	2634000-43	. ELEVATOR ASSY-LH REFER TO NOTE 4	B0299	B0318	NP R
- 16	2634000-2	. ELEVATOR ASSY-RH REFER TO NOTE 5	0001	0215	NP R
- 17	2634000-42	. ELEVATOR ASSY-RH REFER TO NOTE 5	0216	0221	NP R
- 18	2634000-40	. ELEVATOR ASSY-RH REFER TO NOTE 6	B0001	B0298	NP R
- 19	2634000-44	. ELEVATOR ASSY-RH REFER TO NOTE 6	B0299	B0318	NP R
		ATTACHING PARTS			
20	AN4-20A	. BOLT			03
21	NAS1149F0463P	. WASHER			03
22	MS21044N4	. NUT			03
23	AN4-12	. BOLT			02
24	NAS1149F0463P	. WASHER			AR
25	MS17825-5	. NUT			02
26	MS24665-134	. COTTER PIN			02
		*—			
27	2634000-35	. SKIN ASSY-TE-INBD AFT .016 2024 T3			01
28	2634000-31	. SKIN ASSY-UPR LH .020 2024 T3			01
29	2634000-33	. SKIN ASSY-LWR LH .020 2024 T3			01
30	2634000-30	. SKIN ASSY-UPR RH .020 2024 T3			01
31	2634000-32	. SKIN ASSY-LWR RH .020 2024 T3			01
32	2634000-5	. SKIN-INBD LE FWD .025 2024 T3			01
33	2634000-7	. SKIN-FWD CENTER .020 2024 T3			01
34	2634000-8	. TIP SKIN-LH AFT OUTBD .016 2024 T3			01
35	2634014-3	. TIP .040 2024 T42			01
		ATTACHING PARTS			
36	AN525-10R6	. SCREW			10
		*—			
37	2634018-3	. FAIRING-LH .020 2024 T42			01
38	2634018-4	. FAIRING-RH .020 2024 T42			01
39	2634000-38	. TIP SKIN-RH AFT OUTBD .016 2024 T3			01

NOTE 1—ON INITIAL SPARE REPLACEMENT, REFER TO SK208-107 ELEVATOR CENTER PIVOT ARM KIT.

NOTE 2—AIRPLANES -0001 THRU -0221 AND AIRPLANES -B0001 THRU -B0318 NOT INCORPORATING SK208-102, SK208-106, AND SK208-107.

NOTE 3—ORDER THE 2634000-67 ELEVATOR ASSEMBLY FOR SPARES. OWNERS MUST COMPLY WITH CAB93-12 PRIOR TO INSTALLATION OF THIS SPARE. REFER TO 55-20-00 FIGURE 02 THE SUB-ASSEMBLY BREAKDOWN FOR THE 2634000-67 ASSEMBLY. R

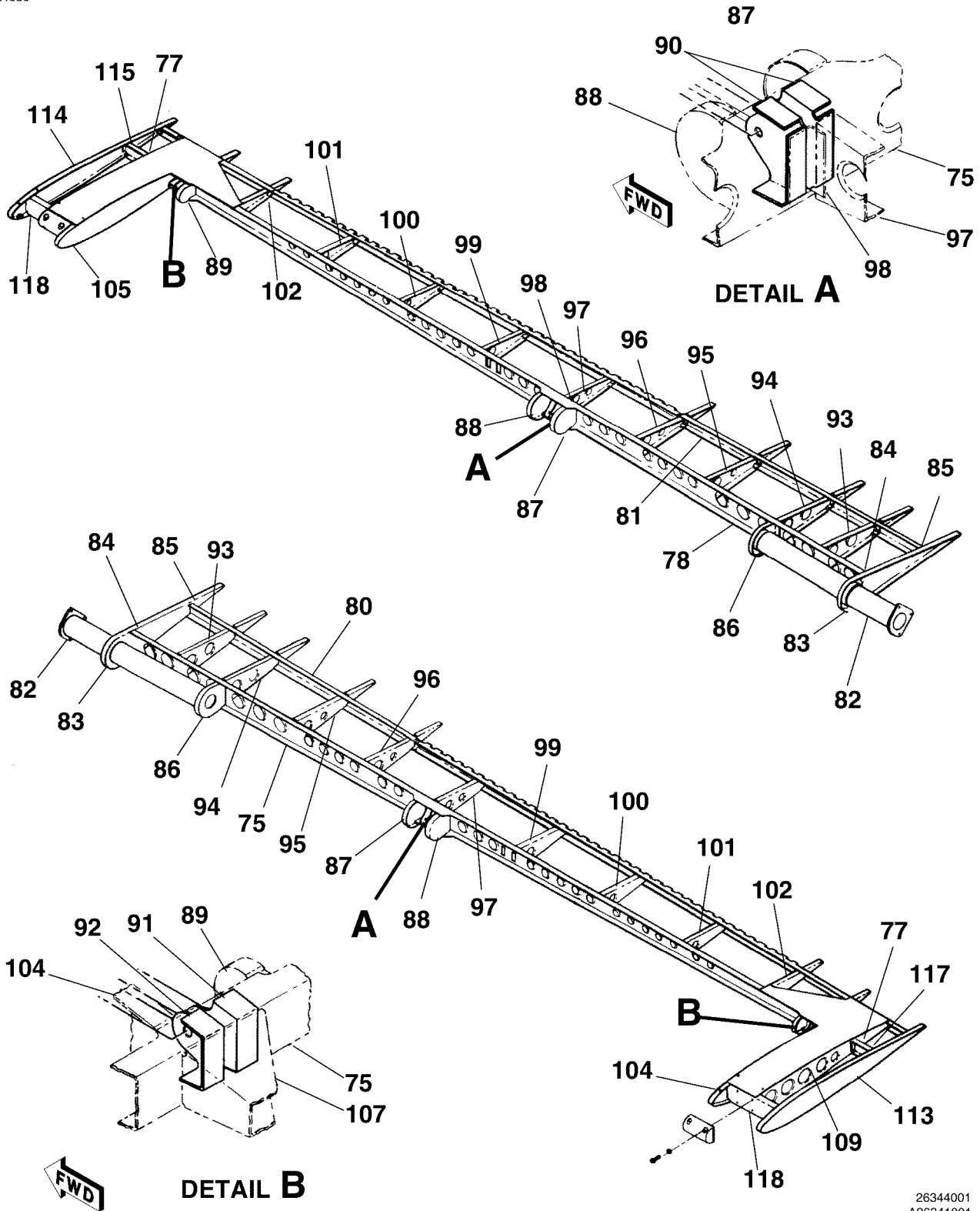
NOTE 4—ORDER THE 2634000-69 ELEVATOR ASSEMBLY FOR SPARES. OWNERS MUST COMPLY WITH CAB93-12 PRIOR TO INSTALLATION OF THIS SPARE. REFER TO 55-20-00 FIGURE 02 THE SUB-ASSEMBLY BREAKDOWN FOR THE 2634000-69 ASSEMBLY. R

NOTE 5—ORDER THE 2634000-68 ELEVATOR ASSEMBLY FOR SPARES. OWNERS MUST COMPLY WITH CAB93-12 PRIOR TO INSTALLATION OF THIS SPARE. REFER TO 55-20-00 FIGURE 02 THE SUB-ASSEMBLY BREAKDOWN FOR THE 2634000-68 ASSEMBLY. R

NOTE 6—ORDER THE 2634000-70 ELEVATOR ASSEMBLY FOR SPARES. OWNERS MUST COMPLY WITH CAB93-12 PRIOR TO INSTALLATION OF THIS SPARE. REFER TO 55-20-00 FIGURE 02 THE SUB-ASSEMBLY BREAKDOWN FOR THE 2634000-70 ASSEMBLY. R

CESSNA®
MODEL 208
 ILLUSTRATED PARTS CATALOG

A24636



ELEVATOR INSTALLATION
 FIGURE 01 (SHEET 2)

26344001
 A26341001
 B26341002

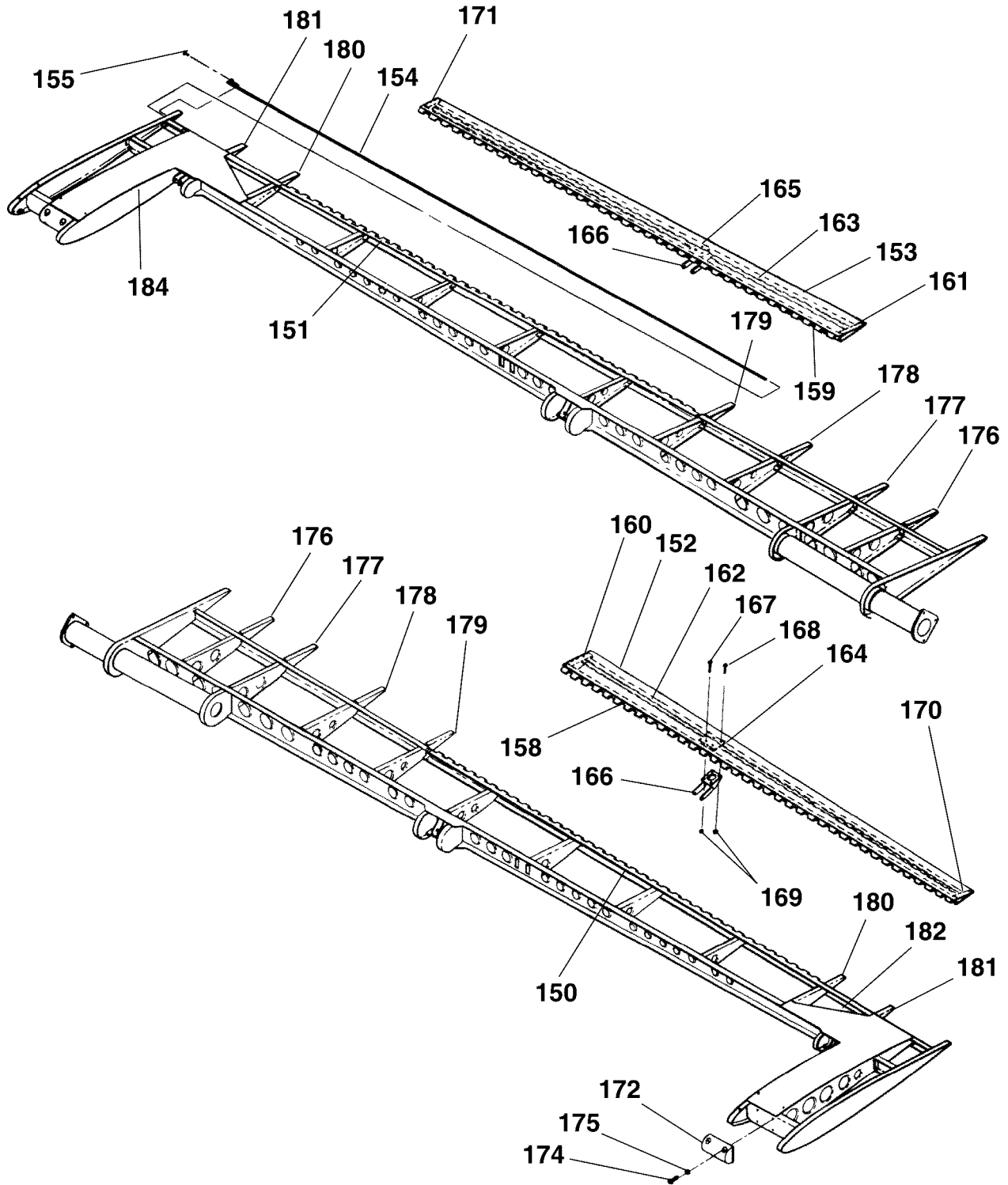
CESSNA®
MODEL 208
ILLUSTRATED PARTS CATALOG

FIG ITEM	PART NUMBER	1 2 3 4 5 6 7	NOMENCLATURE	UNITS PER ASSY	
01					
75	2634013-6		.. SPAR ASSY-FWD LH .025 2024 T42		01
- 76	2634013-5		.. . DOUBLER .025 2024 T42		01
77	2634017-32		.. SPAR-FWD OUTBD LH & RH .025 2024 T42		01
78	2634013-8		.. SPAR ASSY-FWD RH .025 2024 T42		01
- 79	2634013-7		.. . DOUBLER .025 2024 T42		01
80	2634013-9		.. SPAR-AFT LH .020 2024 T42		01
81	2634013-10		.. SPAR-AFT RH .020 2024 T42		01
82	2634017-1		.. TORQUE TUBE ASSY .083 2.5 2024 T42 FSO 2634017-83		NP
- 82A	2634017-83		.. TORQUE TUBE ASSY .083 2.5 2024 T42		01
83	2634017-5		.. RIB SS 8.00 .032 2024 T42		00
84	2634017-27		.. CLIP .025 2024 T42		01
85	2634017-28		.. CLIP .025 2024 T42		01
86	2634017-72		.. RIB-NOSE SS 22.00 .032 2024 T42		01
87	2634017-70		.. RIB-NOSE SS 52.88 .025 2024 T42		00
88	2634017-71		.. RIB-NOSE SS 57.12 .025 2024 T42		01
89	2634017-56		.. RIB-NOSE SS 111.54 .025 2024 T42		01
90	2632020-1		.. HINGE BRACKET SS 55.00 .040 4130 T42 REFER TO NOTE 1		02
91	2632020-14		.. HINGE BRACKET-INBD SS 114.026 .040 4130 125 REFER TO NOTE 1 ..		01
92	2632020-6		.. HINGE BRACKET-OUTBD SS 114.026 .040 4130 125 REFER TO NOTE 1 .		01
93	2634017-6		.. RIB SS 15.00 .025 2024 T42		01
94	2634017-7		.. RIB SS 22.00 .025 2024 T42		01
95	2634017-8		.. RIB SS 33.00 .025 2024 T42		01
96	2634017-9		.. RIB SS 44.00 .025 2024 T42		01
97	2634017-11		.. RIB-LH SS 55.00 .025 2024 T42		01
98	2634017-30		.. CLIP .025 2024 T42		01
99	2634017-13		.. RIB-LH AND RH SS 67.80 .025 2024 T42		01
100	2634017-15		.. RIB-LH AND RH SS 80.60 .025 2024 T42		01
101	2634017-17		.. RIB-LH AND RH SS 93.40 .025 2024 T42		01
102	2634017-33		.. RIB SS 106.20 .025 2024 T42		01
- 103	2634017-4		.. RIB-CANTED SS 106.20-115.00 .032 2024 T42		01
104	2634017-45		.. RIB ASSY-FWD LH SS 115.00 .032 2024 T42		01
105	2634017-22		.. RIB ASSY-FWD RH SS 115.00 .032 2024 T42		01
- 106	MS21047L3		.. . NUTPLATE		04
107	2634017-69		.. RIB SS 115.00 .032 2024 T42 FSO 2634017-73	0001 0126	01
- 108	2634017-73		.. RIB SS 115.00 .032 2024 T42	0127 0221	01
				B0040 B0318	
109	2634017-47		.. RIB ASSY-LH SS 119.42 .040 2024 T42		01
- 110	2634017-20		.. RIB ASSY-RH SS 119.42 .040 2024 T42		01
- 111	MS21047L3		.. . NUTPLATE		02
- 112	MS21071L3		.. . NUTPLATE-BALANCE WT ATTACH		02
113	2634017-43		.. RIB ASSY-LH SS 123.00 .040 2024 T42		01
114	2634017-36		.. RIB ASSY-RH SS 123.00 .040 2024 T42		01
115	MS21047L3		.. . NUTPLATE		04
- 116	MS21069L08		.. . NUTPLATE-HINGE PIN ATTACH		01
117	2634017-29		.. CLIP .025 2024 T42		01
118	2634014-1		.. SPAR ASSY-ELEVATOR TIP .040 2024 T42		01
- 119	MS21047L3		.. . NUTPLATE		02

NOTE 1—ON INITIAL SPARE REPLACEMENT REFER TO SK208-102 AND SK208-106

CESSNA®
MODEL 208
 ILLUSTRATED PARTS CATALOG

A24637



26344001

ELEVATOR INSTALLATION
 FIGURE 01 (SHEET 3)

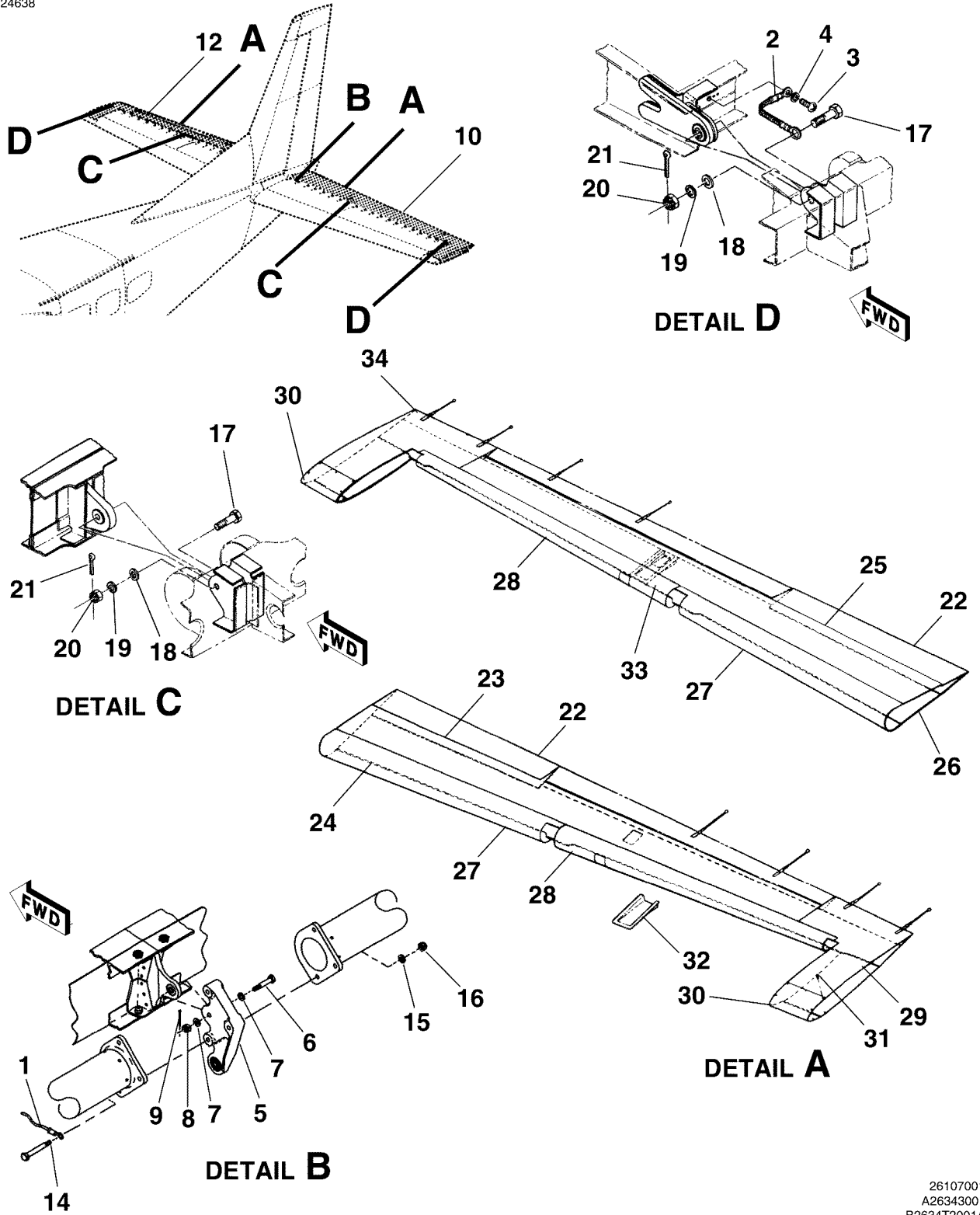
CESSNA®
MODEL 208
ILLUSTRATED PARTS CATALOG

FIG ITEM	PART NUMBER	1 2 3 4 5 6 7	NOMENCLATURE	UNITS PER ASSY		
01						
150	2634000-25		HINGE HALF-LH MS20257H4-			01
151	2634000-24		HINGE HALF-RH MS20257H4-			01
152	2634000-14		TRIM TAB ASSY-ELEVATOR LH .016 2024 T42			01
153	2634000-10		TRIM TAB ASSY-ELEVATOR RH .016 2024 T42			01
			ATTACHING PARTS			
154	2634000-28		HINGE PIN MS20253P2-			01
155	AN525-832R8		SCREW			01
			*—			
- 156	2634000-16		TAB SKIN-RH .016 2024 T3			01
- 157	2634000-11		TAB SKIN-LH .016 2024 T3			01
158	2634000-27		HINGE HALF-LH MS20257H4-			01
159	2634000-26		HINGE HALF-RH MS20257H4-			01
160	2634017-49		TAB RIB-LH SS 44.00 .016 2024 T42			01
161	2634017-48		TAB RIB-RH SS 44.00 .016 2024 T42			01
162	2634000-19		SPAR TAB-TRIM LH .020 2024 T3			01
163	2634000-20		SPAR TAB-TRIM RH .020 2024 T3			01
164	2634000-21		SPACER-LH			01
165	2634000-22		SPACER-RH			01
166	2634000-23		HORN-ELEVATOR TRIM TAB			01
			ATTACHING PARTS			
167	MS27039-0822		SCREW-FWD			02
168	MS27039-0819		SCREW-AFT			02
169	MS21042-08		NUT			04
			*—			
170	2634017-54		RIB-LH SS 106.20 .016 2024 T42			01
171	2634017-55		RIB-RH SS 106.20 .016 2024 T42			01
172	2633029-3		BALANCE WEIGHT-ELEVATOR FSO 2633029-5	0001	0215	NP
				B0001	B0298	
- 173	2633029-5		BALANCE WEIGHT-ELEVATOR	0216	0221	01
				B0299	B0318	
			ATTACHING PARTS			
174	AN3-10A		BOLT			04
175	NAS1149F0332P		WASHER			04
			*—			
176	2634017-67		RIB-T.E. SS 15.00 .025 2024 T42			01
177	2634017-40		RIB-T.E. SS 22.00 .025 2024 T42			01
178	2634017-66		RIB-T.E. SS 33.00 .025 2024 T42			01
179	2634017-38		RIB-T.E. SS 44.00 .025 2024 T42			01
180	2634017-51		RIB-T.E. SS 106.20 .025 2024 T42			01
181	2634017-19		RIB-T.E. SS 114.026 .025 2024 T42			01
182	2634017-59		DOUBLER-UPR LH .025 2024 T42			01
- 183	2634017-61		DOUBLER-LWR LH .025 2024 T42			01
184	2634017-10		DOUBLER-UPR RH .025 2024 T42			01
- 185	2634017-60		DOUBLER-LWR RH .025 2024 T42			01

- ITEM NOT ILLUSTRATED

CESSNA®
MODEL 208
 ILLUSTRATED PARTS CATALOG

A24638



ELEVATOR INSTALLATION
 FIGURE 02 (SHEET 1)

26107001
 A26343001
 B2634T2001A
 C26341001A
 D26341002A

CESSNA®
MODEL 208
ILLUSTRATED PARTS CATALOG

FIG ITEM	PART NUMBER	NOMENCLATURE	UNITS PER ASSY		
			1	2	3
02		ELEVATOR INSTALLATION REFER TO NOTE 1	0222	& ON	RF
-			B0319	& ON	
1	1570102-29	. STRAP ASSY			01
2	1570102-34	. STRAP ASSY			02
		. ATTACHING PARTS			
3	MS35207-262	. SCREW			01
4	NAS1149F0332P	. WASHER			01
		—*—			
5	2634023-1	. ARM ASSY-ELEVATOR PUSHROD			01
		. ATTACHING PARTS			
6	AN4-13	. BOLT			01
7	NAS1149F0463P	. WASHER			02
8	MS17825-4	. NUT			01
9	MS24665-136	. COTTER PIN			01
		—*—			
10	2634000-45	. ELEVATOR ASSY-LH 208 FSO 2634000-67	0222	0371	NP
- 10A	2634000-57	. ELEVATOR ASSY-LH 208 FSO 2634000-67	0372	0381	NP
- 10B	2634000-67	. ELEVATOR ASSY-LH 208	0382	& ON	01
- 11	2634000-47	. ELEVATOR ASSY-LH 208B FSO 2634000-69	B0319	B1043	NP
- 11A	2634000-59	. ELEVATOR ASSY-LH 208B FSO 2634000-69	B1044	B1083	NP
- 11B	2634000-69	. ELEVATOR ASSY-LH 208B	B1084	& ON	01
12	2634000-46	. ELEVATOR ASSY-RH 208 FSO 2634000-68	0222	0371	NP
- 12A	2634000-58	. ELEVATOR ASSY-RH 208 FSO 2634000-68	0372	0381	NP
- 12B	2634000-68	. ELEVATOR ASSY-RH 208	0382	& ON	01
- 13	2634000-48	. ELEVATOR ASSY-RH 208B FSO 2634000-70	B0319	B1043	NP
- 13A	2634000-60	. ELEVATOR ASSY-RH 208B FSO 2634000-70	B1044	B1083	NP
- 13B	2634000-70	. ELEVATOR ASSY-RH 208B	B1084	& ON	01
		. ATTACHING PARTS			
14	AN4-20A	. BOLT			03
15	NAS1149F0463P	. WASHER			03
16	MS21044N4	. NUT			03
17	AN4-12	. BOLT REFER TO NOTE 2			02 R
18	NAS1149F0463P	. WASHER			02
19	NAS1149F0563P	. WASHER			02
20	MS17825-4	. NUT REFER TO NOTE 2			02
21	MS24665-134	. COTTER PIN			02
- 21A	MS24665-132	. COTTER PIN REFER TO NOTE 2			02 R
		—*—			
22	2634000-35	. SKIN ASSY-TE-INBD AFT .016 2024 T42	0222	0355	01
			B0319	B0932	
- 22A	2634000-55	. SKIN ASSY-TE-INBD AFT .016 2024 T42	0356	& ON	01
			B0933	& ON	
23	2634000-31	. SKIN ASSY UPR .020 2024 T3 LH	0222	0355	01 R
			B0319	B0932	
- 23A	2634000-53	. SKIN ASSY UPR .020 2024 T3 LH AND RH	0356	& ON	01 R
			B0933	& ON	
24	2634000-33	. SKIN ASSY LWR .020 2024 T3 LH	0222	0355	01 R
			B0319	B0932	
- 24A	2634000-54	. SKIN ASSY LWR .020 2024 T3 LH AND RH	0336	& ON	01 R
			B0933	& ON	
25	2634000-30	. SKIN ASSY UPR .020 2024 T3 RH	0222	0355	01 R
			B0319	B0932	
26	2634000-32	. SKIN ASSY LWR .020 2024 T3 RH	0222	0355	01 R
			B0319	B0932	
27	2634000-5	. SKIN-INBD LE .025 2024 T3			01
28	2634000-37	. SKIN ASSY-LE-OUTBD CENTER .020 2024 T3	0222	0355	01
			B0319	B0932	
- 28A	2634000-56	. SKIN ASSY-LE-OUTBD CENTER .020 2024 T3	0336	& ON	01 R
			B0933	& ON	
29	2634000-8	. TIP SKIN-LH-AFT OUTBD .016 2024 T42			01
30	2634014-3	. TIP .040 2024 T42			01
		. ATTACHING PARTS			
31	AN525-10R6	. SCREW			10
		—*—			
32	2634018-3	. FAIRING-LH .020 2024 T42			01
33	2634018-4	. FAIRING-RH .020 2024 T42			01
34	2634000-38	. TIP SKIN-RH-AFT OUTBD .016 2024 T3			01

NOTE 1—AIRPLANES -0222 & ON AND -B0319 & ON, AND AIRPLANES -0001 THRU -0221 AND -B0001 THRU -B0318 INCORPORATING SK208-102, SK208-106, AND SK208-107.

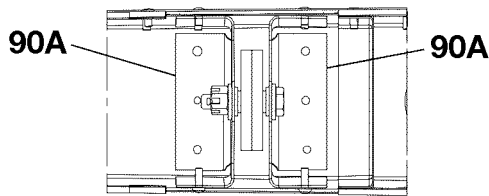
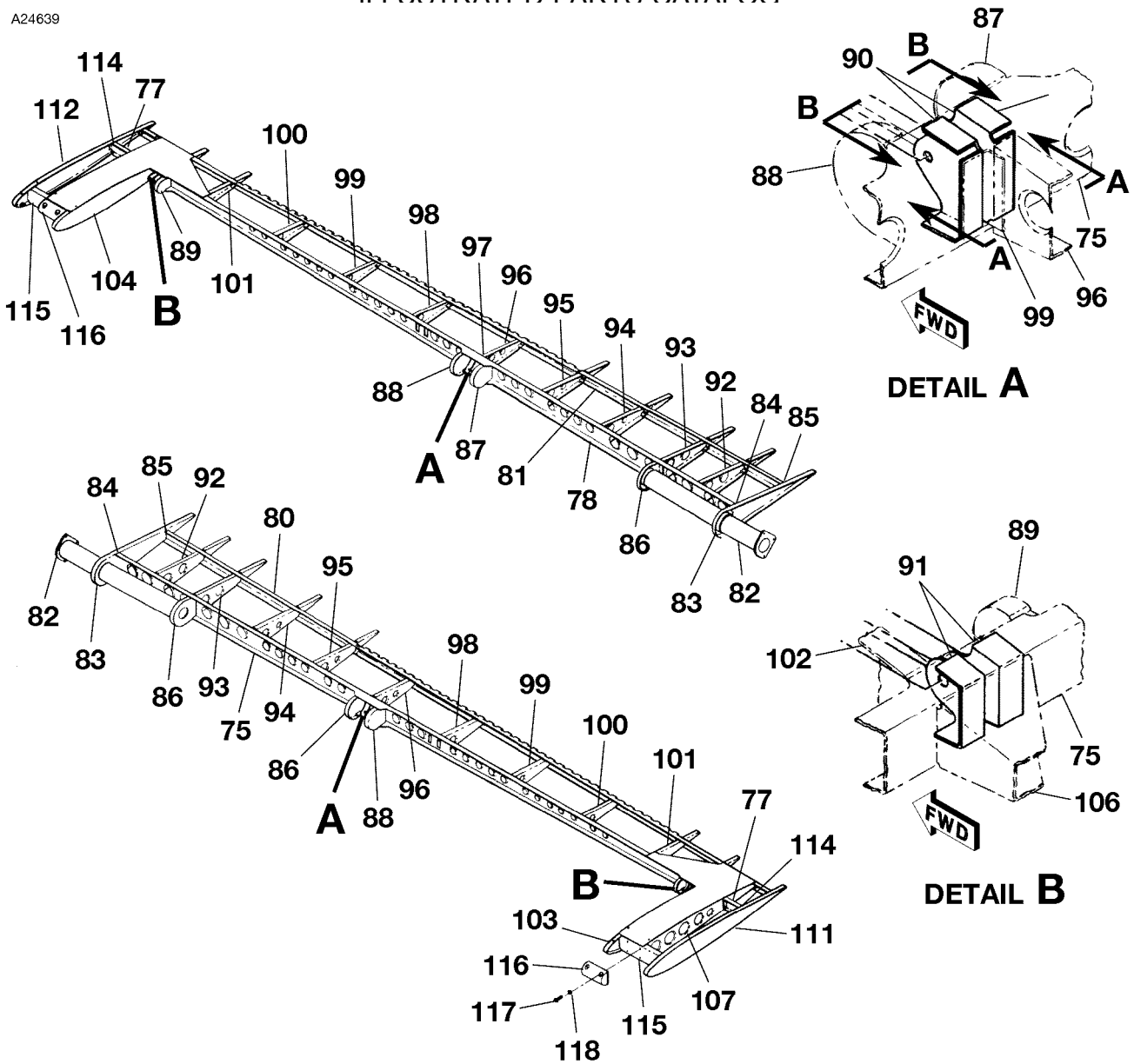
NOTE 2—AIRPLANES -0001 THRU -0422 AND -B0001 THRU -B1317 INCORPORATING CAB10-7.

R

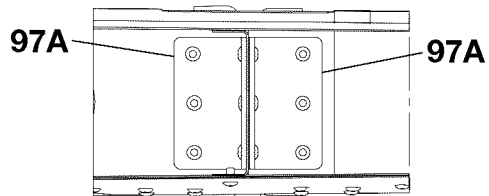
- ITEM NOT ILLUSTRATED

CESSNA®
MODEL 208
 ILLUSTRATED PARTS CATALOG

A24639



VIEW B-B
 INCORPORATING CAB10-7



VIEW A-A
 INCORPORATING CAB10-7

2634R4001
 A2634R1001
 B2634R1002
 AA2693T011
 BB2693T011

ELEVATOR INSTALLATION
 FIGURE 02 (SHEET 2)

CESSNA®
MODEL 208
ILLUSTRATED PARTS CATALOG

FIG ITEM	PART NUMBER	NOMENCLATURE	UNITS PER ASSY	
			1 2 3 4 5 6 7	
02				
75	2634013-6	.. SPAR ASSY-FWD LH .025 2024 T42		01
- 76	2634013-5	.. DOUBLER .025 2024 T42		01
77	2634017-32	.. SPAR-FWD OUTBD LH & RH .025 2024 T42		01
78	2634013-8	.. SPAR ASSY-FWD RH .025 2024 T42		01
- 79	2634013-7	.. DOUBLER .025 2024 T42		01
80	2634013-9	.. SPAR-AFT LH .025 2024 T42		01
81	2634013-10	.. SPAR-AFT RH .025 2024 T42		01
82	2634017-1	.. TORQUE TUBE ASSY .083 2.5 2024 T3 FSO 2634017-83	0222 0381	NP
- 82A	2634017-83	.. TORQUE TUBE ASSY .083 2.5 2024 T3	B0319 B1083 0382 & ON B1084 & ON	01
83	2634017-5	.. RIB SS 8.00 .032 2024 T42		01
84	2634017-27	.. CLIP .025 2024 T42		01
85	2634017-28	.. CLIP .025 2024 T42		01
86	2634017-72	.. RIB-NOSE SS 22.00 .032 2024 T42		01
87	2634017-70	.. RIB-NOSE SS 52.88 .025 2024 T42		01
88	2634017-71	.. RIB-NOSE SS 57.12 .025 2024 T42		01
89	2634017-56	.. RIB-NOSE SS 111.54 .025 2024 T42 FSO 2634017-74	0222 0242	NP
- 89A	2634017-74	.. RIB-NOSE SS 111.54 .025 2024 T42	B0319 B0451 0243 & ON B0452 & ON	01
90	2634022-4	.. HINGE BRACKET ASSY SS 55.00 .040 2024 T3		02
90A	2693011-3	.. HINGE BRACKET ASSY SS 55.00 REFER TO NOTE 1		02 R
91	2609080-16	.. BRACKET ASSY-INBD-OUTBD SS 114.026 .025 2024	0222 0242	02
- 91A	2634021-5	.. BRACKET ASSY-INBD-OUTBD SS 114.026 .025 2024	B0319 B0451 0243 & ON B0452 & ON	02
92	2634017-6	.. RIB SS 15.00 .025 2024 T42		01
93	2634017-7	.. RIB SS 22.00 .025 2024 T42		01
94	2634017-8	.. RIB SS 33.00 .025 2024 T42		01
95	2634017-9	.. RIB SS 44.00 .025 2024 T42		01
96	2634017-11	.. RIB-LH SS 55.00 .025 2024 T42 LH		01
- 96A	2634017-11	.. RIB-LH SS 55.00 .025 2024 T42 RH FSO 2634017-12	0222 0280	NP
- 96B	2634017-12	.. RIB-RH SS 55.00 .025 2024 T42	B0319 B0677 0281 & ON B0678 & ON	01
97	2634017-30	.. CLIP .025 2024 T42		01
97A	2693011-9	.. CLIP REFER TO NOTE 1		02 R
- 97B	2693011-11	.. DOUBLER-ELEVATOR REFER TO NOTE 1		02 R
- 97C	2693011-12	.. COVER PLATE-ELEVATOR REFER TO NOTE 1		02 R
98	2634017-13	.. RIB-LH SS 67.80 .025 2024 T42 LH AND RH	0222 0280	01
- 98A	2634017-75	.. RIB-LH SS 67.80 .025 2024 T42 LH ONLY	B0319 B0677 0281 & ON B0678 & ON	01
- 98B	2634017-76	.. RIB-RH SS 67.80 .025 2024 T42 RH ONLY	0281 & ON B0678 & ON	01
99	2634017-15	.. RIB-LH SS 80.60 .025 2024 T42 LH		01
- 99A	2634017-15	.. RIB-LH SS 80.60 .025 2024 T42 RH FSO 2634017-16	0222 0280	NP
- 99B	2634017-16	.. RIB-RH SS 80.60 .025 2024 T42	B0319 B0677 0281 & ON B0678 & ON	01
100	2634017-17	.. RIB-LH SS 93.40 .025 2024 T42 LH		01
- 100A	2634017-17	.. RIB-LH SS 93.40 .025 2024 T42 RH FSO 2634017-18	0222 0280	NP
- 100B	2634017-18	.. RIB-RH SS 93.40 .025 2024 T42 RH	B0319 B0677 0281 & ON B0678 & ON	01
101	2634017-33	.. RIB SS 106.20 .025 2024 T42		01
102	2634017-4	.. RIB-CANTED SS 106.20-115.00 .032 2024 T42		01
103	2634017-45	.. RIB ASSY-FWD LH SS 115.00 .032 2024 T42		01
104	2634017-22	.. RIB ASSY-FWD RH SS 115.00 .032 2024 T42		01
- 105	MS21047L3	.. NUTPLATE		04
106	2634017-73	.. RIB SS 115.00 .032 2024 T42		01
107	2634017-47	.. RIB ASSY-LH SS 119.42 .040 2024 T42		01
- 108	2634017-20	.. RIB ASSY-RH SS 119.42 .040 2024 T42		01
- 109	MS21047L3	.. NUTPLATE		02
- 110	MS21071L3	.. NUTPLATE-BALANCE WT ATTACH		02
111	2634017-43	.. RIB ASSY-LH SS 123.00 .040 2024 T42		01
112	2634017-36	.. RIB ASSY-RH SS 123.00 .040 2024 T42		01
- 113	NAS697A08	.. NUTPLATE-HINGE PIN ATTACH		01
114	2634017-29	.. CLIP .025 2024 T42		01
115	2634014-1	.. SPAR ASSY-ELEVATOR TIP .040 2024 T42		01
116	2633029-5	.. BALANCE WEIGHT-ELEVATOR		01
117	AN3-10A	.. BOLT-ELEVATOR ATTACH		04
118	NAS1149F0332P	.. WASHER-ELEVATOR ATTACH		04

NOTE 1—AIRPLANES -0001 THRU -0422 AND -B0001 THRU -B1317 INCORPORATING CAB10-7.

R

- ITEM NOT ILLUSTRATED

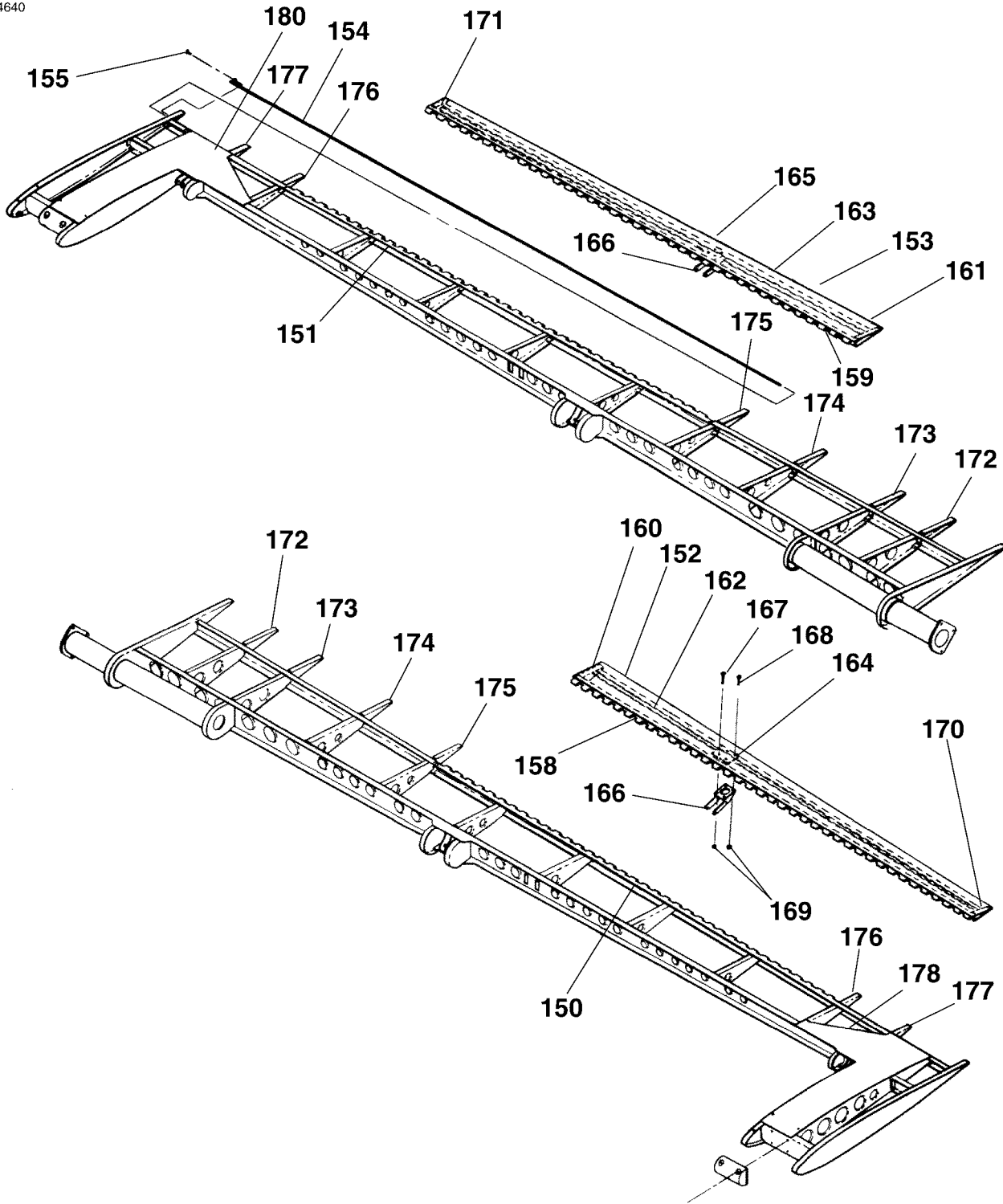
Figure 02
Page 3
Dec 1/2012

55-20-00

CESSNA®
MODEL 208

ILLUSTRATED PARTS CATALOG

A24640



26344001

ELEVATOR INSTALLATION
FIGURE 02 (SHEET 3)

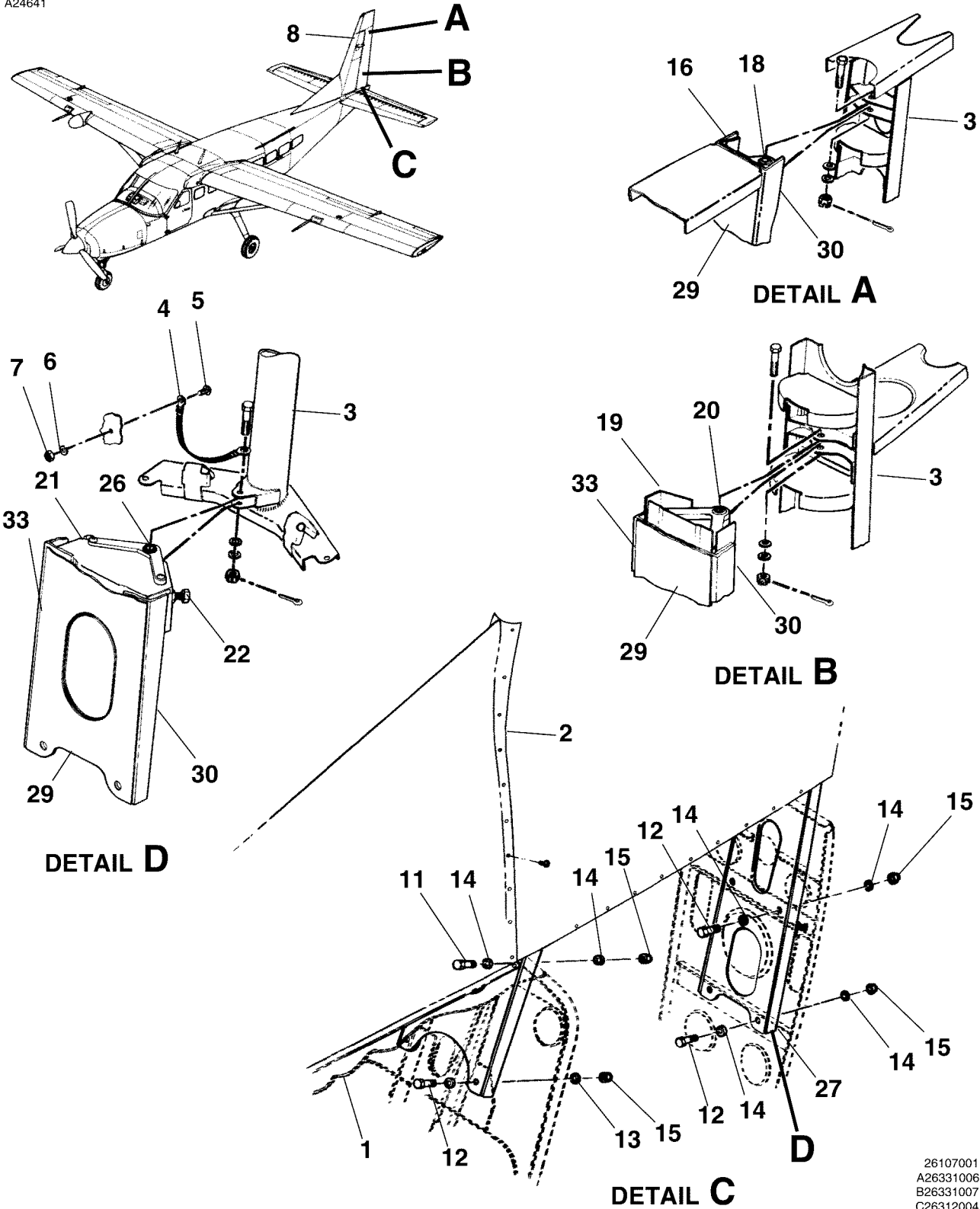
CESSNA®
MODEL 208
ILLUSTRATED PARTS CATALOG

FIG ITEM	PART NUMBER	1 2 3 4 5 6 7	NOMENCLATURE	UNITS PER ASSY	
02					
150	2634000-25		HINGE HALF-LH MS20257H4-		01
151	2634000-24		HINGE HALF-RH MS20257H4-		01
152	2634000-14		TRIM TAB ASSY-ELEVATOR LH .016 2024 T3	0222 0355	01
- 152A	2634000-51		TRIM TAB ASSY-ELEVATOR LH .016 2024 T3	B0319 B0932 0356 0371	01
- 152B	2634000-63		TRIM TAB ASSY-ELEVATOR LH .016 2024 T3	B0933 B1043 0372 & ON	01
153	2634000-10		TRIM TAB ASSY-ELEVATOR RH .016 2024 T3	B1044 & ON 0222 0355	01
- 153A	2634000-50		TRIM TAB ASSY-ELEVATOR RH .016 2024 T3	B0319 B0932 0356 0371	01
- 153B	2634000-62		TRIM TAB ASSY-ELEVATOR RH .016 2024 T3	B0933 B1043 0372 & ON	01
			ATTACHING PARTS		
154	2634000-28		HINGE PIN MS20257H4-		01
155	AN525-832R8		SCREW		01
- 156	2634000-16		TAB SKIN-RH .016 2024 T3		01
- 157	2634000-11		TAB SKIN-LH .016 2024 T3		01
158	2634000-27		HINGE HALF-LH MS20257H4-	0222 0371	01
- 158A	2634000-65		HINGE HALF LH MS20257H4-	B0319 B1043 0372 & ON	01
159	2634000-26		HINGE HALF-RH MS20257H4-	B1044 & ON 0222 0371	01
- 159A	2634000-64		HINGE HALF RH MS20257H4-	B0319 B1043 0372 & ON	01
160	2634017-49		TAB RIB-LH SS 44.00 .016 2024 T42	B1044 & ON 0222 0355	01
- 160A	2634017-79		TAB RIB-LH SS 44.00 .016 2024 T42	B0319 B0932 0356 & ON	01
161	2634017-48		TAB RIB-RH SS 44.00 .016 2024 T42	B0933 & ON	01
162	2634000-19		SPAR TAB-TRIM LH .020 2024 T42		01
163	2634000-20		SPAR TAB-TRIM RH .020 2024 T42		01
164	2634000-21		SPACER-LH		01
165	2634000-22		SPACER-RH		01
166	2634000-23		HORN-ELEVATOR TRIM TAB		01
			ATTACHING PARTS		
167	MS27039-0822		SCREW-FWD		02
168	MS27039-0819		SCREW-AFT		02
169	MS21042-08		NUT		04
170	2634017-54		RIB-LH SS 106.20 .016 2024 T42	0222 0355	01
- 170A	2634017-81		RIB-LH SS 106.20 .016 2024 T42	B0319 B0932 0356 & ON	01
171	2634017-55		RIB-RH SS 106.20 .016 2024 T42	B0933 & ON	01
172	2634017-67		RIB-T.E. SS 15.00 .025 2024 T42		01
173	2634017-40		RIB-T.E. SS 22.00 .025 2024 T42		01
174	2634017-66		RIB-T.E. SS 33.00 .025 2024 T42		01
175	2634017-38		RIB-T.E. SS 44.00 .025 2024 T42		01
176	2634017-51		RIB-T.E. SS 106.20 .025 2024 T42		01
177	2634017-19		RIB-T.E. SS 114.026 .025 2024 T42		01
178	2634017-59		DOUBLER-UPR LH .025 2024 T42		01
- 179	2634017-61		DOUBLER-LWR LH .025 2024 T42		01
180	2634017-10		DOUBLER-UPR RH .025 2024 T42		01
- 181	2634017-60		DOUBLER-LWR RH .025 2024 T42		01

- ITEM NOT ILLUSTRATED

CESSNA®
MODEL 208
 ILLUSTRATED PARTS CATALOG

A24641



VERTICAL FIN INSTALLATION
 FIGURE 01 (SHEET 1)

26107001
 A26331006
 B26331007
 C26312004
 D26331005

CESSNA®
MODEL 208
ILLUSTRATED PARTS CATALOG

FIG ITEM	PART NUMBER	NOMENCLATURE	UNITS		
			PER ASSY		
01		VERTICAL FIN INSTALLATION REFER TO NOTE 2			RF
-					
1		. TAILCONE INSTALLATION REFER TO 53-14-00 FIGURE 01			RF
2		. TAILCONE DORSAL INSTALLATION REFER TO 53-50-00 FIGURE 01			RF
3		. RUDDER INSTALLATION REFER TO 55-40-00 FIGURE 01			RF
4	1570102-27	. GROUND STRAP			01
		ATTACHING PARTS			
5	MS35207-262	. SCREW			01
6	NAS1149F0332P	. WASHER			01
7	MS21044N3	. NUT			01
		—*—			
8	2631000-1	. VERTICAL FIN ASSY FSO 2631000-200 REFER TO NOTE 1 AND NOTE 3	0001	0006	01
- 9	2631000-10	. VERTICAL FIN ASSY REFER TO NOTE 1 AND NOTE 5	0007	0028	01 R
- 10	2631000-13	. VERTICAL FIN ASSY REFER TO NOTE 1 AND NOTE 6	0029	0172	01 R
- 10A	2631000-17	. VERTICAL FIN ASSY REFER TO NOTE 1 AND NOTE 6	0173	0221	01 R
		ATTACHING PARTS			
11	AN176-10A	. BOLT			02
12	AN176-7A	. BOLT LWR FWD ONLY			06
13	NAS1149F0632P	. WASHER LWR FWD ONLY			02
14	NAS1149F0663P	. WASHER			12
15	MS21044N6	. NUT			08
		—*—			
16	2633012-1	. . . HINGE ASSY-UPPER FSO 2633012-2	0001	0006	01
- 17	2633012-2	. . . HINGE ASSY-UPPER REFER TO NOTE 4			01
18	MS24462-4	. . . BEARING			01
19	2631024-1	. . . HINGE ASSY-CENTER			01
20	MS24462-4	. . . BEARING			01
21	2631029-1	. . . HINGE ASSY-LWR			01
22	NAS428H4A12	. . . BOLT RUDDER STOP			02
- 23	NAS1423-4	. . . JAMB NUT			02
- 24	2631030-1	. . . ADJUSTER-LH RUDDER STOP			01
- 25	2631030-2	. . . ADJUSTER-RH RUDDER STOP			01
26	MS24462-4	. . . BEARING			01
27	2631021-1	. . . SPAR ASSY-AFT FSO 2631021-11 REFER NOTE 3	0001	0006	01
- 28	2631021-11	. . . SPAR ASSY AFT REFER TO NOTE 4			01
29	2631021-7	. . . WEB .040 2024 T42			01
30	2631021-3	. . . SPAR CAP-LH FSO 2631021-9 REFER TO NOTE 3	0001	0006	01
- 31	2631021-9	. . . SPAR CAP-LH S2462-6 REFER TO NOTE 4			01
- 32	2631021-5	. . . SPAR STRAP-LH S2603-1			01
33	2631021-4	. . . SPAR CAP-RH FSO 2631021-10 REFER NOTE 3	0001	0006	01
- 34	2631021-10	. . . SPAR CAP-RH S2462-6 REFER TO NOTE 4			01
- 35	2631021-6	. . . SPAR STRAP-RH S2603-1			01

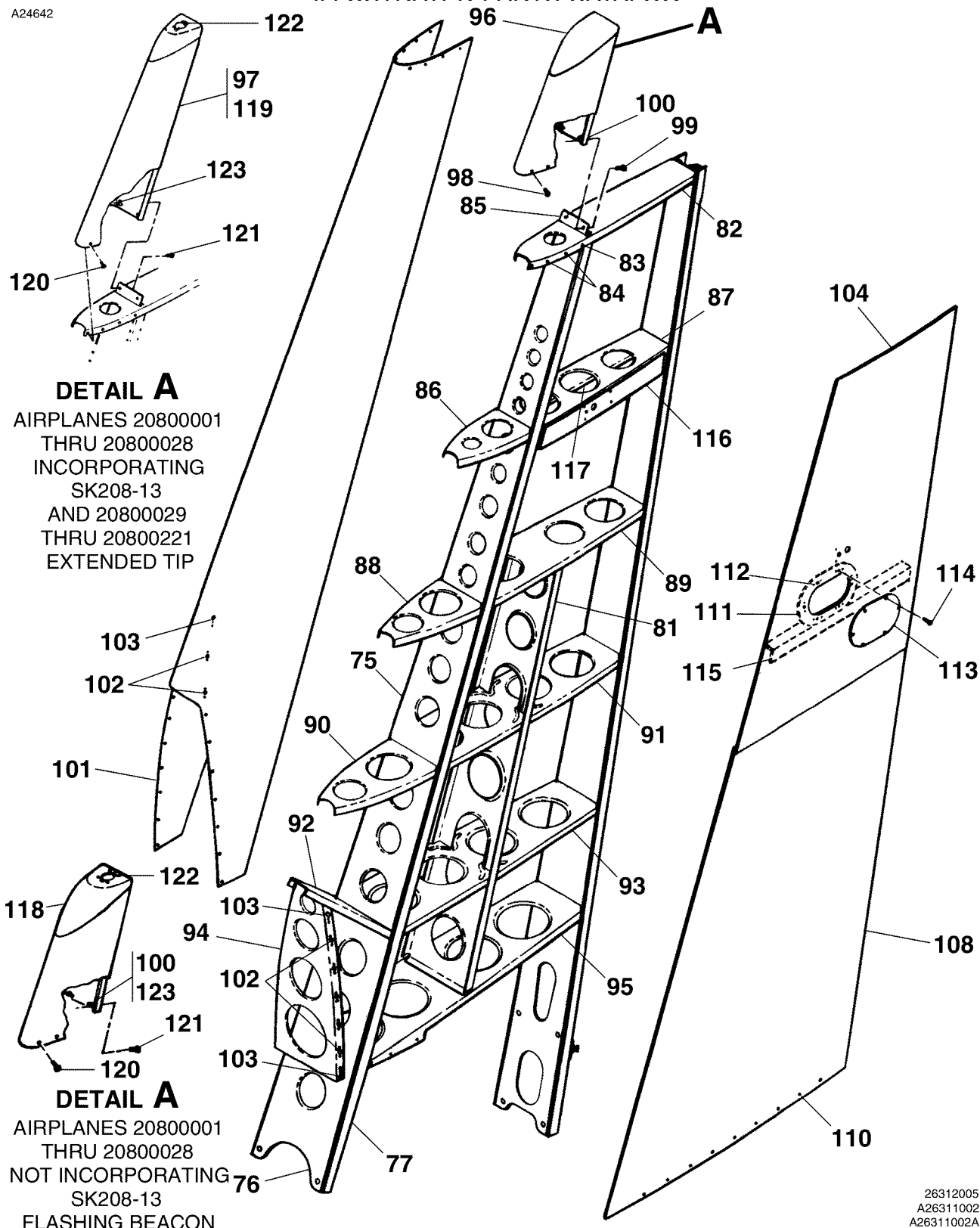
NOTE 1—WHEN ORDERING A VERTICAL FIN ASSY, SPECIFY TIP ASSY REQUIRED.
NOTE 2—AIRPLANES -0001 THRU -0221 NOT INCORPORATING SK208-99, SK208-104, AND AND SK208-105.
NOTE 3—AIRPLANES NOT INCORPORATING SK208-14.
NOTE 4—AIRPLANES -0007 THRU -0221 AND AIRPLANES -0001 THRU -0006 INCORPORATING SK208-14.
NOTE 5—AIRPLANES NOT INCORPORATING SK208-13
NOTE 6—AIRPLANES -0029 THRU -0221 AND AIRPLANES -0001 THRU -0028 INCORPORATING SK208-13.

- ITEM NOT ILLUSTRATED

CESSNA®
MODEL 208

ILLUSTRATED PARTS CATALOG

A24642



DETAIL A

AIRPLANES 20800001
THRU 20800028
INCORPORATING
SK208-13
AND 20800029
THRU 20800221
EXTENDED TIP

DETAIL A

AIRPLANES 20800001
THRU 20800028
NOT INCORPORATING
SK208-13
FLASHING BEACON

VERTICAL FIN INSTALLATION
FIGURE 01 (SHEET 2)

26312005
A26311002
A26311002A

CESSNA®
MODEL 208
ILLUSTRATED PARTS CATALOG

FIG ITEM	PART NUMBER	1 2 3 4 5 6 7	NOMENCLATURE	UNITS	
				PER	ASSY
01					
75	2631022-1		SPAR ASSY-FWD		01
76	2631022-2		WEB .040 2024 T42		01
77	2631022-5		SPAR CAP-LH S1965-4		01
- 78	2631022-3		SPAR STRAP-LH S2603-1		01
- 79	2631022-6		SPAR CAP-RH S1965-1		01
- 80	2631022-4		SPAR STRAP-RH S2603-1		01
81	2631005-1		SPAR AUXILARY .032 2024 T42		01
82	2631004-1		RIB ASSY WL 207.50 .032 2024 T42		01
83	MS21051L08		NUTPLATE		04
84	MS21047L08		NUTPLATE		04
85	2631004-3		ANGLE		01
86	2631009-3		RIB-LEADING EDGE WL 191.00 .025 2024 T42		01
87	2631006-1		RIB WL 191.00 .025 2024 T42		01
88	2631009-2		RIB-LEADING EDGE WL 176.00 .025 2024 T42		01
89	2631007-1		RIB WL 176.00 .032 2024 T42		01
90	2631009-1		RIB-LEADING EDGE WL 162.00 .025 2024 T42		01
91	2631008-1		RIB WL 162.00 .032 2024 T42		01
92	2631033-1		RIB CANT WL 148.00 .020 2024 T42		01
93	2631008-2		RIB WL 148.00 .032 2024 T42		01
94	2631032-1		RIB-DORSAL ATTACHMENT .032 2024 T42		01
95	2631020-1		RIB ASSY CANT WL 136.33 .025 2024 T42		01
96	2631002-1		TIP ASSY-FIN W/O BEACON REFER TO NOTES 1 AND 5	0001	0028 01
97	2631035-7		TIP ASSY-EXTENDED FIN W/O BEACON REFER TO NOTES 2 AND 5	0029	0221 01
			ATTACHING PARTS		
98	NAS220-5		SCREW		08
99	AN3-3		BOLT		02
			—*—		
100	NAS684A3K		NUTPLATE		02
101	2631000-6		SKIN-LEADING EDGE .025 2024 T42		01
102	MS21047L3		NUTPLATE		14
103	NAS682A3		NUTPLATE		06
104	2631000-2		SKIN-UPR LH FSO 2631000-11 REFER TO NOTE 3	0001	0006 01
- 105	2631000-11		SKIN-LH UPR REFER TO NOTE 4 .020 2024 T42	0007	0221 01
- 106	2631000-3		SKIN-RH UPR FSO 2631000-12 REFER TO NOTE 3	0001	0006 01
- 107	2631000-12		SKIN-RH UPR REFER TO NOTE 4 .020 2024 T42	0007	0221 01
108	2631000-7		SKIN ASSY-LWR LH .025 2024 T42		01
- 109	2631000-8		SKIN ASSY-LWR RH .025 2024 T42		01
110	MS21059L3		NUTPLATE		18 R
111	2531062-2		DOUBLER ASSY LH ONLY .040 2024 T42		01
112	NAS681A08		NUTPLATE		06
113	2531062-1		COVER LH ONLY .020 2024 T42		01
			ATTACHING PARTS		
114	MS24693-S48		SCREW		06
			—*—		
115	2631038-1		STIFFENER-ACCESS HOLE		01
116	2631034-1		SUPPORT-ANTENNA LH		01
117	2631034-2		SUPPORT-ANTENNA RH		01
118	2631002-7		TIP ASSY-FIN WITH FLASHING BEACON REFER TO NOTES 1 AND 5	0001	0028 01
119	2631035-2		TIP ASSY-EXTENDED FIN WITH FLASHING BEACON REFER TO NOTES 2 AND 5 FSO 2631035-9	0007	0221 NP
			ATTACHING PARTS		
120	NAS220-5		SCREW		08
121	AN3-3A		BOLT		02
			—*—		
122	MS21047L08K		NUTPLATE		02
123	NAS684A3K		NUTPLATE		02

NOTE 1—AIRPLANES NOT INCORPORATING SK208-13

NOTE 2—AIRPLANES -0001 THRU -0028 INCORPORATING SK208-13.

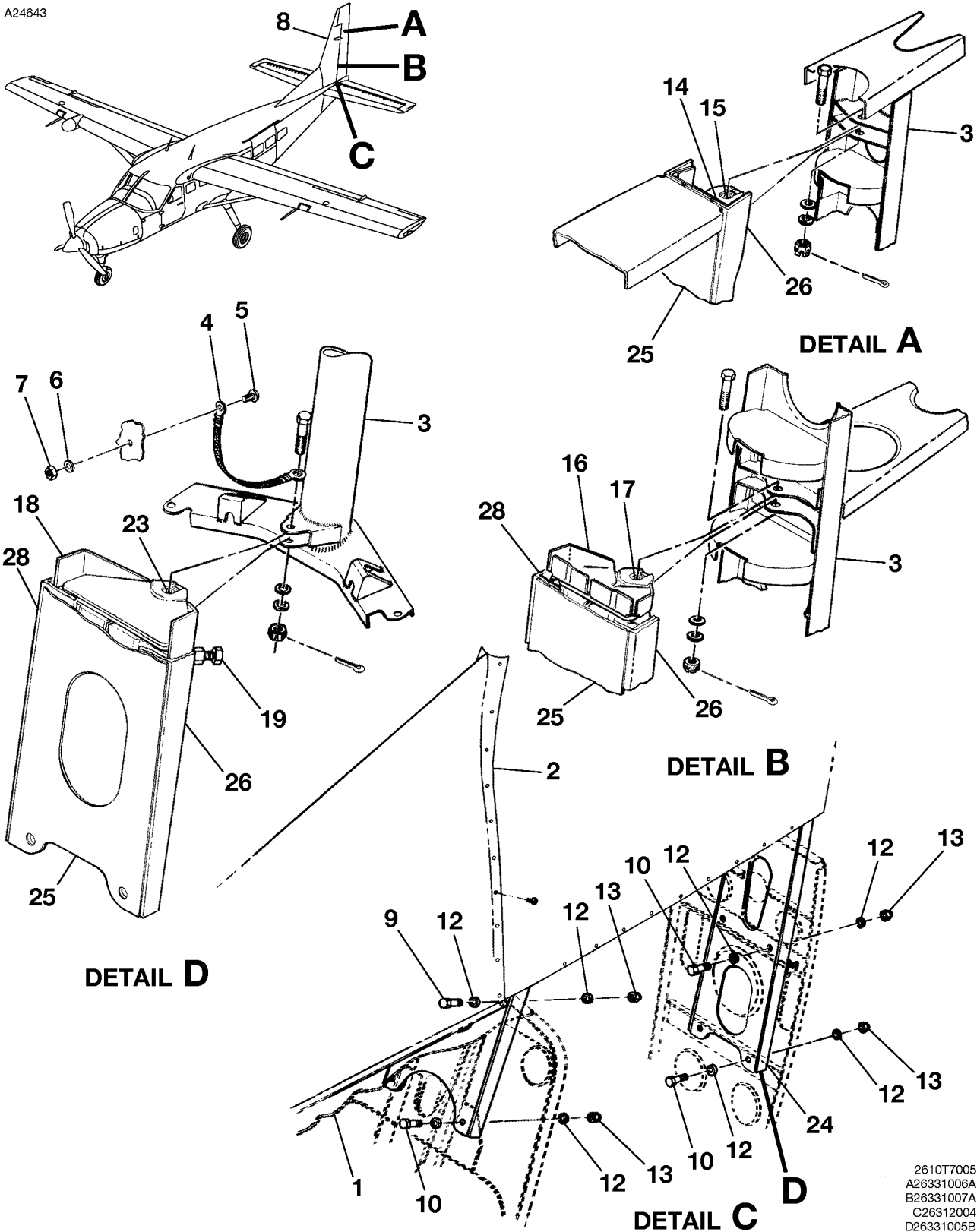
NOTE 3—AIRPLANES NOT INCORPORATING SK208-14

NOTE 4—AIRPLANES -0001 THRU -0006 INCORPORATING SK208-14.

NOTE 5—WHEN ORDERING A VERTICAL FIN ASSY, SPECIFY TIP ASSY REQUIRED.

CESSNA®
MODEL 208
 ILLUSTRATED PARTS CATALOG

A24643



VERTICAL FIN INSTALLATION
 FIGURE 02 (SHEET 1)

2610T7005
 A26331006A
 B26331007A
 C26312004
 D26331005B

CESSNA®
MODEL 208
 ILLUSTRATED PARTS CATALOG

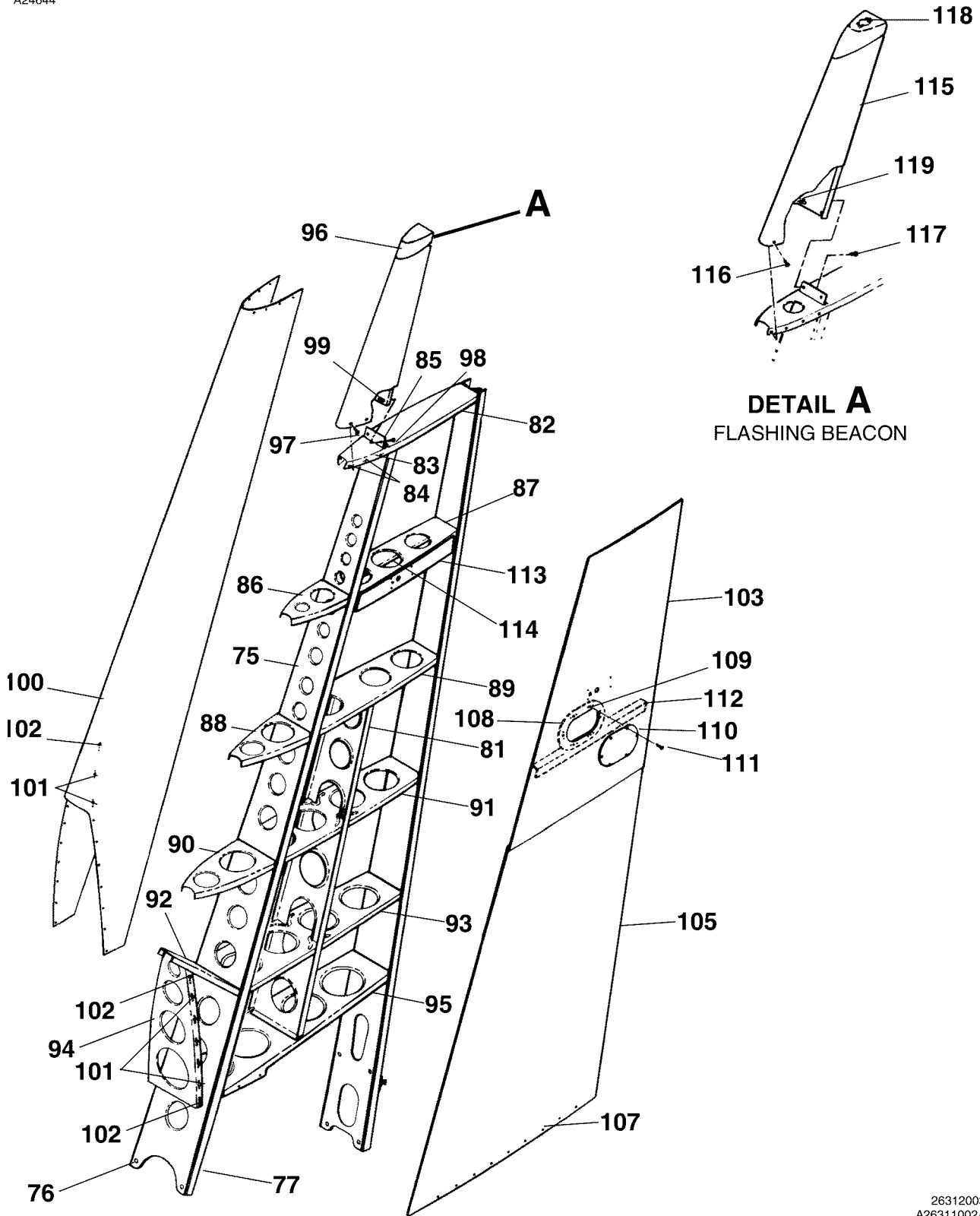
FIG ITEM	PART NUMBER	NOMENCLATURE	UNITS	
			PER	ASSY
02				
-		VERTICAL FIN INSTALLATION REFER TO NOTE 2		RF
1		. TAILCONE INSTALLATION REFER TO 53-14-00 FIGURE 01		RF
2		. TAILCONE DORSAL INSTALLATION REFER TO 53-30-00 FIGURE 01		RF
3		. RUDDER INSTALLATION REFER TO 55-40-00 FIGURE 04		RF
4	1570102-27	. GROUND STRAP		01
		ATTACHING PARTS		
5	MS35207-262	. SCREW		01
6	NAS1149F0332P	. WASHER		01
7	MS21044N3	. NUT		01
		—*—		
8	2631000-19	. VERTICAL FIN ASSY REFER TO NOTE 1	0222	0355 01
- 8A	2631000-23	. VERTICAL FIN ASSY	0356	0499 01
- 8B	2631000-25	. VERTICAL FIN ASSY	0500	& ON 01
		ATTACHING PARTS		
9	AN176-10A	. BOLT		06
10	AN176-7A	. BOLT LWR FWD ONLY		02
- 11	NAS1149F0632P	. WASHER LWR FWD ONLY		02
12	NAS1149F0663P	. WASHER		12
13	MS21044N6	. NUT		08
		—*—		
14	2631048-1	. . . HINGE ASSY-UPPER		01
15	MS27641-4	. . . BEARING		01
16	2631047-1	. . . HINGE ASSY-CENTER		01
17	MS27641-4	. . . BEARING		01
18	2631046-1	. . . HINGE ASSY-LWR		01
19	NAS428H4A12	. . . BOLT RUDDER STOP		02
- 20	NAS1423-4	. . . JAMB NUT		02
- 21	2631046-9	. . . ADJUSTER-LH RUDDER STOP		01
- 22	2631046-8	. . . ADJUSTER-RH RUDDER STOP		01
23	MS27641-4	. . . BEARING		01
24	2631021-12	. . . SPAR ASSY-AFT		01
25	2631021-15	. . . WEB .040 2024 T3		01
26	2631021-13	. . . SPAR CAP LH S2462-6		01
- 27	2631021-5	. . . SPAR STRAP LH S2603-1		01
28	2631021-14	. . . SPAR CAP-RH S2462-6		01
- 29	2631021-6	. . . SPAR STRAP-RH S2603-1		01

NOTE 1—WHEN ORDERING A VERTICAL FIN ASSY, SPECIFY TIP ASSY REQUIRED.

NOTE 2—AIRPLANES -0222 & ON AND AIRPLANES -0001 THRU -0221 INCORPORATING SK208-13, SK208-99, SK208-104, AND SK208-105.

CESSNA®
MODEL 208
 ILLUSTRATED PARTS CATALOG

A24644



VERTICAL FIN INSTALLATION
 FIGURE 02 (SHEET 2)

26312003
 A26311002A

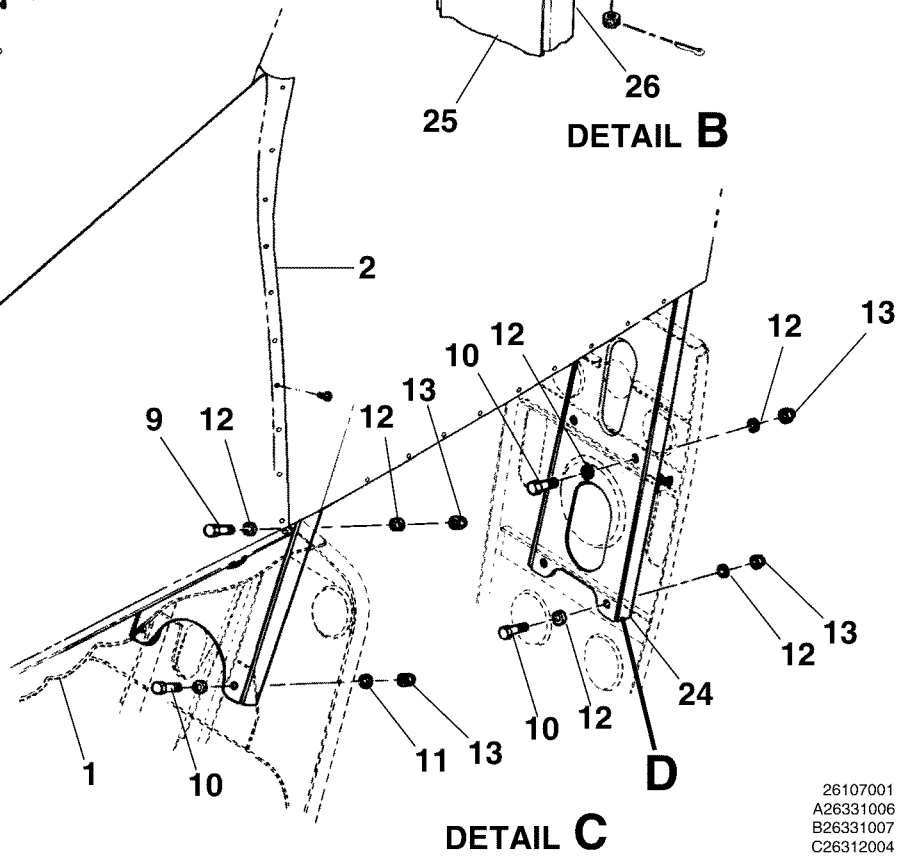
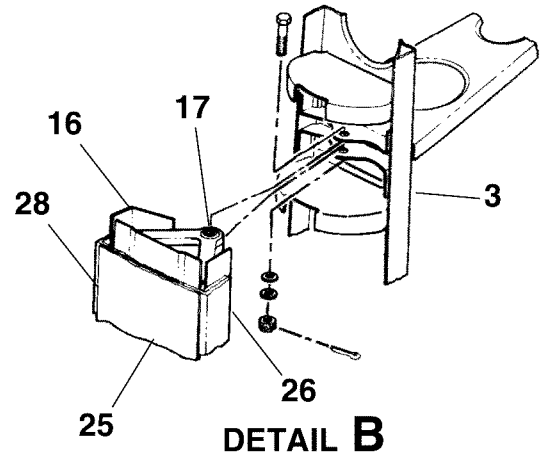
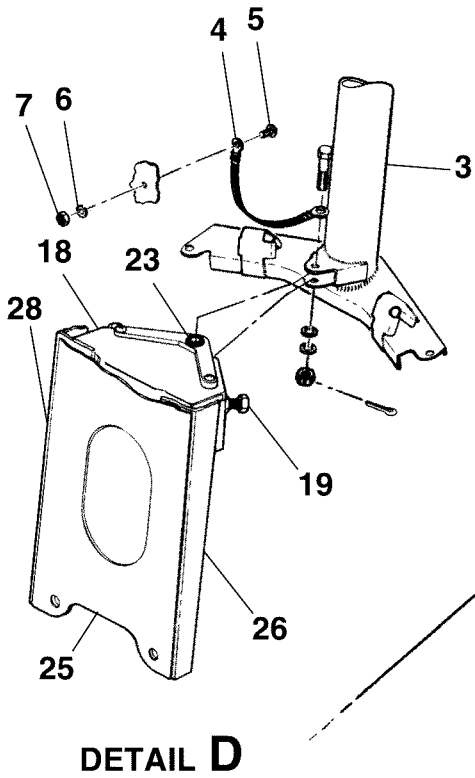
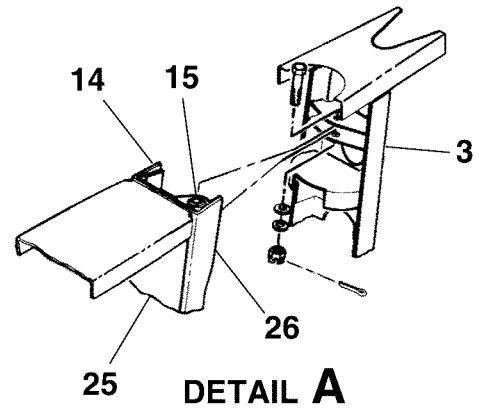
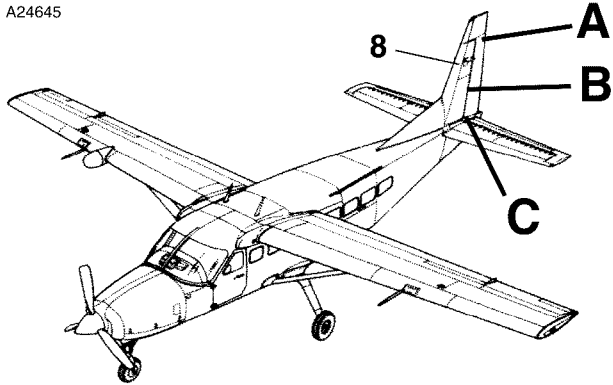
CESSNA®
MODEL 208
ILLUSTRATED PARTS CATALOG

FIG ITEM	PART NUMBER	1 2 3 4 5 6 7	NOMENCLATURE	UNITS PER ASSY		
02						
75	2631022-1		SPAR ASSY-FWD			01
76	2631022-2		WEB .040 2024 T42			01
77	2631022-5		SPAR CAP-LH S1965-4			01
- 78	2631022-3		SPAR STRAP-LH S2603-1			01
- 79	2631022-6		SPAR CAP-RH S1965-1			01
- 80	2631022-4		SPAR STRAP-RH S2603-1			01
81	2631005-1		SPAR AUXILARY .025 2024 T42			01
82	2631004-1		RIB ASSY WL 207.50 .032 2024 T42			01
83	MS21051L08		NUTPLATE			04
84	MS21047L08		NUTPLATE			04
85	2631004-3		ANGLE			01
86	2631009-3		RIB-LEADING EDGE WL 191.00 .025 2024 T42			01
87	2631006-2		RIB WL 191.00 .025 2024 T42			01
88	2631009-2		RIB-LEADING EDGE WL 176.00 .025 2024 T42			01
89	2631007-1		RIB WL 176.00 .032 2024 T42			01
90	2631009-1		RIB-LEADING EDGE WL 162.00 .025 2024 T42			01
91	2631008-1		RIB WL 162.00 .032 2024 T42			01
92	2631033-1		RIB CANT WL 148.00 .020 2024 T42			01
93	2631008-2		RIB WL 148.00 .032 2024 T42			01
94	2631032-1		RIB-DORSAL ATTACHMENT .032 2024 T42			01
95	2631020-1		RIB ASSY CANT WL 136.33 025 2024 T42			01
96	2631035-7		TIP ASSY-EXTENDED FIN W/O FLASHING BEACON REFER TO NOTE 1 ATTACHING PARTS	0222	0355	01
97	NAS220-5		SCREW			08
98	AN3-3		BOLT			02
			—*—			
99	NAS684A3K		NUTPLATE			02
100	2631000-6		SKIN-LEADING EDGE .025 2024 T42			01
101	MS21047L3		NUTPLATE			14
102	MS21047L3		NUTPLATE			06
103	2631000-11		SKIN-LH UPR .020 2024 T42			01
- 104	2631000-12		SKIN-RH UPR .020 2024 T42			01
105	2631000-7		SKIN ASSY-LH LWR .025 2024 T42	0222	0355	01
- 105A	2631000-21		SKIN ASSY-LH LWR .025 2024 T42	0356	& ON	01
- 106	2631000-8		SKIN ASSY-LWR RH .025 2024 T42	0222	0355	01
- 106A	2631000-22		SKIN ASSY-LWR RH .025 2024 T42	0356	& ON	01
107	MS21059L3		NUTPLATE	0222	0499	18 R
- 107A	MS21059L3K		NUTPLATE	0500	& ON	18 R
108	2531062-2		DOUBLER ASSY-LH ONLY .040 2024 T42			01
109	NAS681A08		NUTPLATE			06
110	2531062-1		COVER-LH ONLY .020 2024 T42 ATTACHING PARTS			01
111	MS24693-S48		SCREW			06
			—*—			
112	2631038-1		STIFFENER-ACCESS HOLE			01
113	2631034-1		SUPPORT-ANTENNA LH	0222	0499	01 R
- 113A	2631050-1		SUPPORT-ANTENNA LH	0500	& ON	01 R
114	2631034-2		SUPPORT-ANTENNA RH	0222	0499	01 R
- 114A	2631050-2		SUPPORT-ANTENNA RH	0500	& ON	01 R
115	2631035-2		TIP ASSY-EXTENDED FIN W/FLASHING BEACON FSO 2631035-9 REFER TO NOTE 1	0222	0499	01
- 115A	2631035-9		TIP ASSY REFER TO NOTE 1 ATTACHING PARTS	0500	& ON	01
116	NAS220-5		SCREW			08
117	AN3-3A		BOLT			02
			—*—			
118	MS21047L08		NUTPLATE			02
119	NAS684A3K		NUTPLATE			02
- 120	S1050-1		GROMMET BKI	0500	& ON	AR

NOTE 1—WHEN ORDERING A VERTICAL FIN ASSY, SPECIFY TIP ASSY REQUIRED.

CESSNA®
MODEL 208
 ILLUSTRATED PARTS CATALOG

A24645



26107001
 A26331006
 B26331007
 C26312004
 D26331005

VERTICAL FIN INSTALLATION
 FIGURE 03 (SHEET 1)

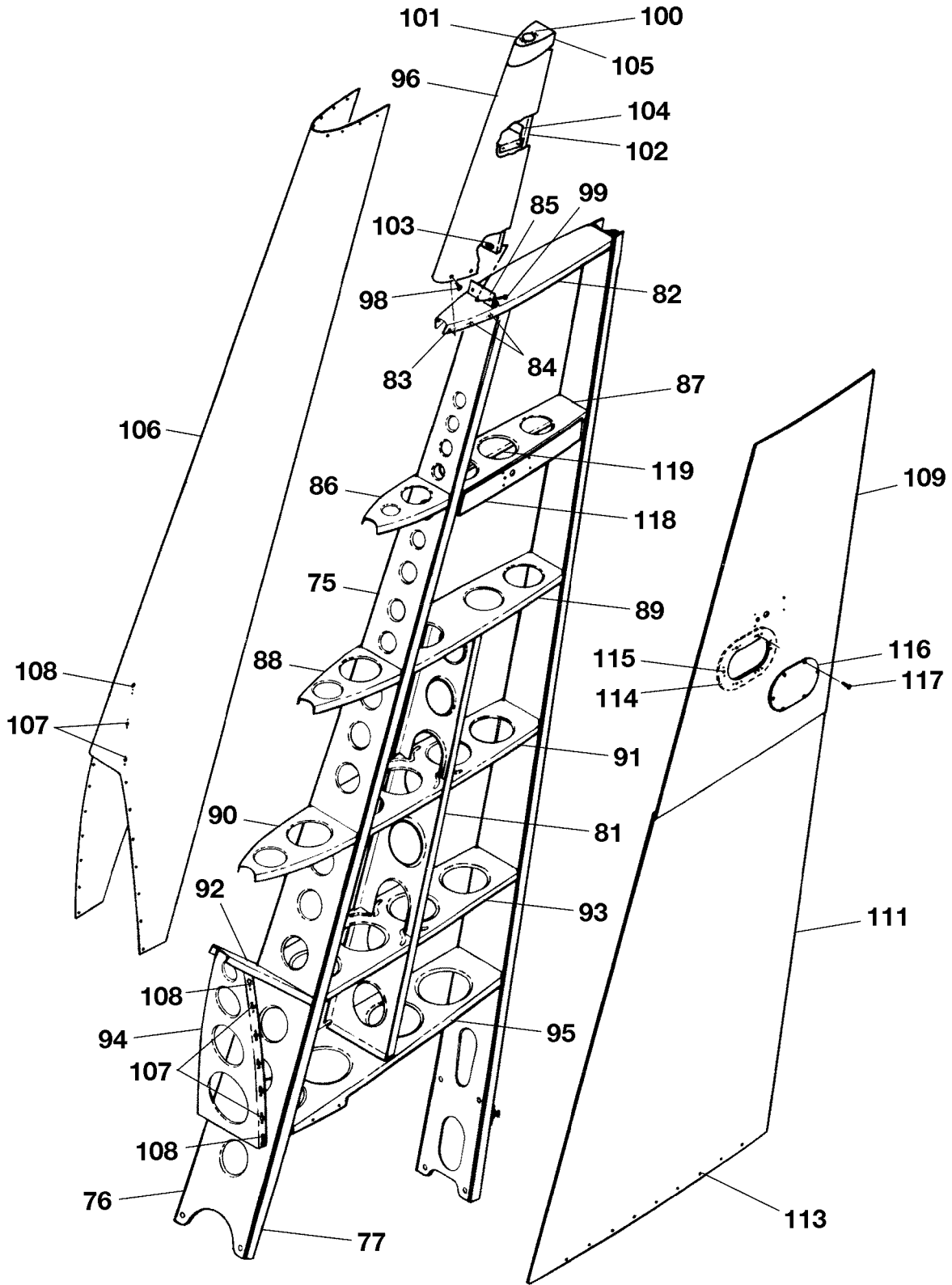
CESSNA®
MODEL 208
 ILLUSTRATED PARTS CATALOG

FIG ITEM	PART NUMBER	NOMENCLATURE	UNITS PER ASSY		
			1	2	3
03					
-		VERTICAL FIN INSTALLATION REFER TO NOTE 2			RF
1		. TAILCONE ASSY REFER TO 53-14-00 FIGURE 02			RF
2		. TAILCONE DORSAL INSTALLATION REFER TO 53-50-00 FIGURE 01			RF
3		. RUDDER INSTALLATION REFER TO 55-40-00 FIGURE 04			RF
4	1570102-27	. GROUND STRAP			01
		ATTACHING PARTS			
5	MS35207-262	. SCREW			01
6	NAS1149F0332P	. WASHER			01
7	MS21044N3	. NUT			01
		—*—			
8	2631000-14	. VERTICAL FIN ASSY REFER TO NOTE 1	0001	0202	01 R
- 8A	2631000-18	. VERTICAL FIN ASSY REFER TO NOTE 1	0203	0318	01 R
		ATTACHING PARTS			
9	AN176-10A	. BOLT			06
10	AN176-7A	. BOLT LWR FWD ONLY			02
11	NAS1149F0632P	. WASHER LWR FWD ONLY			02
12	NAS1149F0663P	. WASHER			12
13	MS21044N6	. NUT			08
		—*—			
14	2633012-2	. . . HINGE ASSY-UPR			01
15	MS24462-4	. . . BEARING			01
16	2631024-1	. . . HINGE ASSY-CTR			01
17	MS24462-4	. . . BEARING			01
18	2631029-1	. . . HINGE ASSY-LWR			01
19	NAS428H4A12	. . . BOLT RUDDER STOP			02
- 20	NAS1423-4	. . . JAMB NUT			02
- 21	2631030-1	. . . ADJUSTER-LH RUDDER STOP			01
- 22	2631030-2	. . . ADJUSTER-LH RUDDER STOP			01
23	MS24462-4	. . . BEARING			01
24	2631021-11	. . . SPAR ASSY-AFT			01
25	2631021-7	. . . WEB .040 2024 T42			01
26	2631021-9	. . . SPAR CAP-LH S2462-6			01
- 27	2631021-5	. . . SPAR STRAP-LH S2603-1			01
28	2631021-10	. . . SPAR CAP-RH S2462-6			01
- 29	2631021-6	. . . SPAR STRAP-RH S2603-1			01

NOTE 1—WHEN ORDERING A VERTICAL FIN ASSY, SPECIFY TIP ASSY REQUIRED.

NOTE 2—AIRPLANES -B0001 THRU -B0318 NOT INCORPORATING SK208-99, SK208-104, AND SK208-105.

CESSNA®
MODEL 208
ILLUSTRATED PARTS CATALOG



26132003

VERTICAL FIN INSTALLATION
FIGURE 03 (SHEET 2)

CESSNA®
MODEL 208
ILLUSTRATED PARTS CATALOG

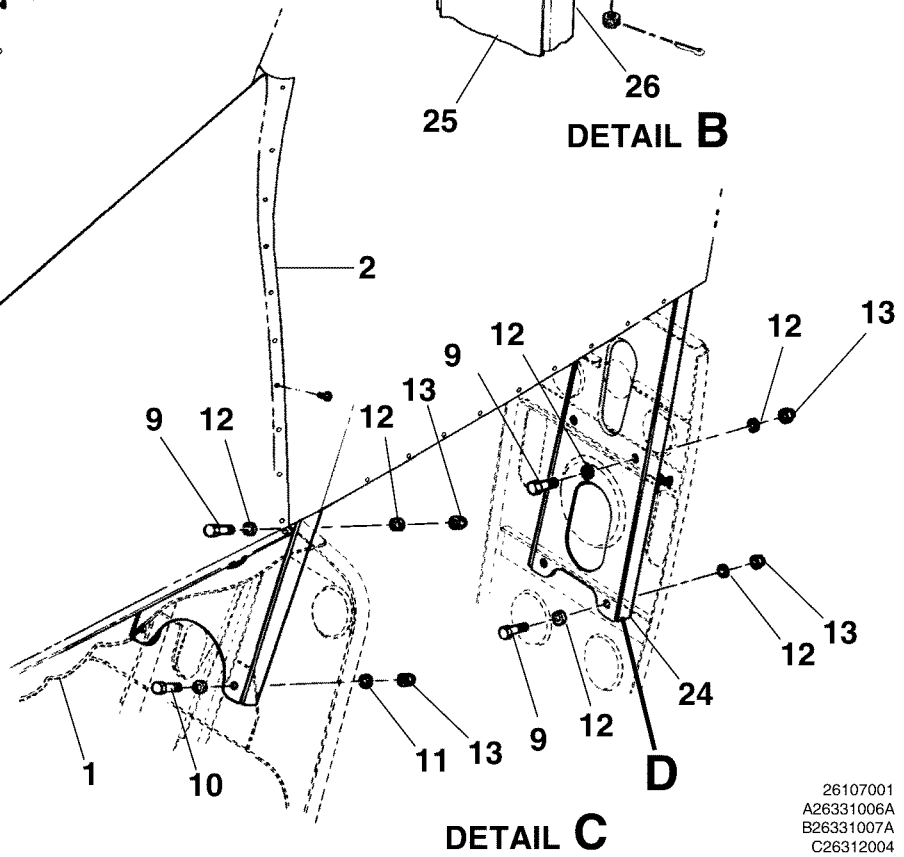
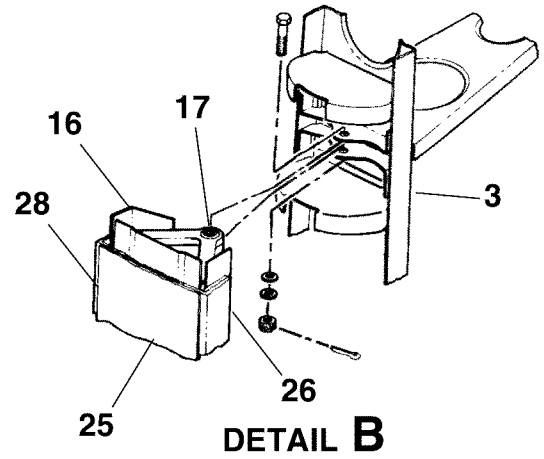
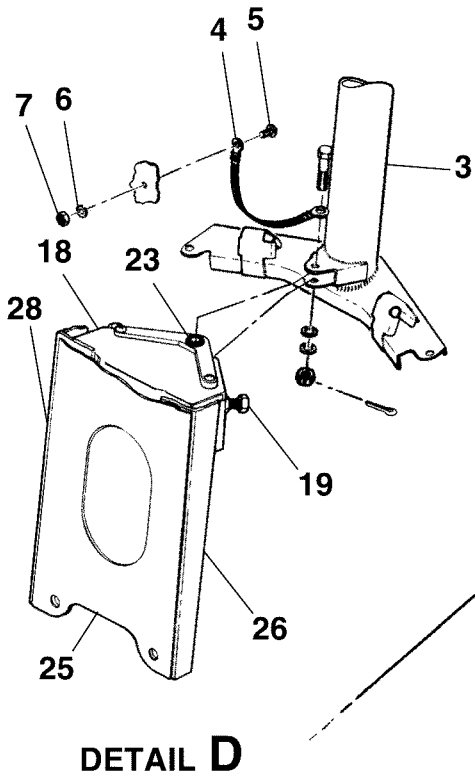
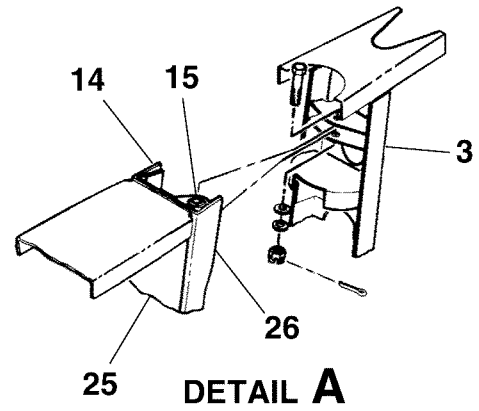
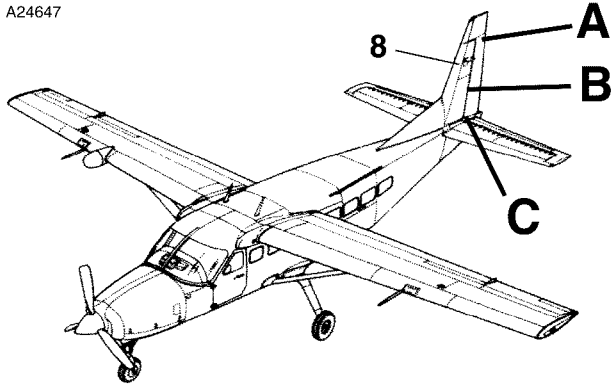
FIG ITEM	PART NUMBER	1 2 3 4 5 6 7	NOMENCLATURE	UNITS PER ASSY	
03					
75	2631022-1		SPAR ASSY FWD		01
76	2631022-2		WEB .040 2024 T42		01
77	2631022-5		SPAR CAP LH S1965-4		01
- 78	2631022-3		SPAR STRAP LH S2603-1		01
- 79	2631022-6		SPAR CAP RH S1965-1		01
- 80	2631022-4		SPAR STRAP RH S2603-1		01
81	2631005-1		SPAR AUXILARY .032 2024 T42		01
82	2631042-1		RIB ASSY WL 207.50 .32 2024 T42		01
83	MS21053L08		NUTPLATE		02
84	MS21049L08		NUTPLATE		04
85	2631042-3		ANGLE-CLIP		01
86	2631009-3		RIB-LEADING EDGE WL 191.00 .025 2024 T42		01
87	2631006-1		RIB WL 191.00 .025 2024 T42		01
88	2631009-2		RIB-LEADING EDGE WL 176.00 .025 2024 T42		01
89	2631007-1		RIB WL 176.00 .032 2024 T42		01
90	2631009-1		RIB-LEADING EDGE WL 162.00 .025 2024 T42		01
91	2631008-1		RIB WL 162.00 .032 2024 T42		01
92	2631033-1		RIB CANT WL 148.00 .020 2024 T42		01
93	2631008-2		RIB WL 148.00 .032 2024 T42		01
94	2631032-1		RIB-DORSAL ATTACHMENT .032 2024 T42		01
95	2631020-1		RIB ASSY CANT WL 136.33 .025 2024 T42		01
96	2631039-1		TIP ASSY-FIN W/FLASHING BEACON FSO 2631039-15	B0001 B0397	NP
- 96A	2631039-9		TIP ASSY-VERTICAL FIN W/FLASHING BEACON FSO 2631039-15	0237 0237	NP
				B0398 B0929	
- 96B	2631039-13		TIP ASSY-VERTICAL FIN W/FLASHING BEACON FSO 2631039-15	B0930 B2001	NP
- 96C	2631039-15		TIP ASSY-VERTICAL FIN	B2002 & ON	01
- 97	2631039-7		TIP ASSY-FIN W/O FLASHING BEACON FSO 2631039-10	B0180 B0397	NP
- 97A	2631039-10		TIP ASSY-FIN W/O FLASHING BEACON	B0398 & ON	01
			ATTACHING PARTS		
98	MS24694-S5		SCREW		06
99	AN3-3		BOLT		02
			—*		
100	MS21047L08		NUTPLATE		01
101	MS21069L08		NUTPLATE		01
102	2631043-1		SPAR ASSY-VERT FIN TIP		01
103	MS21051L08		NUTPLATE		02
104	2631044-1		RIB		01
105	2631039-5		CAP ASSY WITH FLASHING BEACON		01
- 105A	2631039-8		CAP W/O FLASHING BEACON	B0180 B1026	01
106	2631000-15		SKIN-LEADING EDGE .025 2024 T3		01
107	MS21047L3		NUTPLATE		14
108	NAS682A3		NUTPLATE		06
109	2631000-11		SKIN-UPR LH .020 2024 T42		01
- 110	2631000-12		SKIN-UPR RH .020 2024 T42		01
111	2631000-7		SKIN ASSY-LWR LH .025 2024 T42		01
- 112	2631000-8		SKIN ASSY-LWR RH .025 2024 T42		01
113	MS21059L3		NUTPLATE		18
114	2531062-2		DOUBLER ASSY LH ONLY .040 2024 T42		01
115	NAS681A08		NUTPLATE		06
116	2531062-1		COVER LH ONLY .020 2024 T42		01
			ATTACHING PARTS		
117	MS24693-S48		SCREW		06
			—*		
118	2631034-1		SUPPORT-ANTENNA LH		01
119	2631034-2		SUPPORT-ANTENNA RH		01

NOTE 1—WHEN ORDERING A VERTICAL FIN ASSY, SPECIFY TIP ASSY REQUIRED.

NOTE 2—AIRPLANES -B0001 THRU -B0318 NOT INCORPORATING SK208-99, SK208-104, AND SK208-105.

CESSNA®
MODEL 208
 ILLUSTRATED PARTS CATALOG

A24647



26107001
 A26331006A
 B26331007A
 C26312004
 D26331005B

VERTICAL FIN INSTALLATION
 FIGURE 04 (SHEET 1)

CESSNA®
MODEL 208
ILLUSTRATED PARTS CATALOG

FIG ITEM	PART NUMBER	NOMENCLATURE	UNITS		
			PER	ASSY	
04					
-		VERTICAL FIN INSTALLATION REFER TO NOTE 2			RF
1		. TAILCONE ASSY REFER TO 53-14-00 FIGURE 02			RF
2		. TAILCONE DORSAL INSTALLATION REFER TO 53-50-00 FIGURE 01			RF
3		. RUDDER INSTALLATION REFER TO 53-40-00 FIGURE 01			RF
4	1570102-27	. GROUND STRAP			01
		ATTACHING PARTS			
5	MS35207-262	. SCREW			01
6	NAS1149F0332P	. WASHER			01
7	MS21044N3	. NUT			01
		—*—			
8	2631000-20	. VERTICAL FIN ASSY REFER TO NOTE 1	B0319	B0932	01
- 8A	2631000-24	. VERTICAL FIN ASSY FSO 2631000-26	B0933	B1999	NP
- 8B	2631000-26	. VERTICAL FIN ASSY FSO 2631000-28	B2000	B2001	NP
- 8C	DDA06254-1	. VERTICAL FIN ASSY REF 2630000 REFER TO NOTE 3	B2292	B2292	01
- 8D	2631000-28	. VERTICAL FIN ASSY	B2002	& ON	01
		ATTACHING PARTS			
9	AN176-10A	. BOLT			06
- 9A	NAS6606-6X	. BOLT-USED WITH DDA06254-1 UPPER LH LOCATION ONLY	B2292	B2292	01
- 9B	NAS6206-9X	. BOLT REF 2630000 DDA06742	B5166	B5166	02
10	AN176-7A	. BOLT-LWR FWD ONLY			02
- 10A	NAS6606-6X	. BOLT-USED WITH DDA06254-1 LOWER LH LOCATION ONLY	B2292	B2292	01
- 10B	NAS6206-7X	. BOLT REF 2630000 DDA06742	B5166	B5166	02
11	NAS1149F0632P	. WASHER-LWR FWD ONLY			02
12	NAS1149F0663P	. WASHER			12
13	MS21044N6	. NUT			08
		—*—			
- 13A	MS21083N6	. NUT REF 2630000 DDA06742	B5166	B5166	04
14	2631048-1	. RUDDER HINGE ASSY-UPPER			01
15	MS27641-4	. . . BEARING			01
16	2631047-1	. . . RUDDER HINGE ASSY-CENTER			01
17	MS27641-4	. . . BEARING			01
18	2631046-1	. . . RUDDER HINGE ASSY-LWR			01
19	NAS428H4A12	. . . BOLT-RUDDER STOP			02
- 20	NAS1423-4	. . . JAMB NUT			02
- 21	2631046-9	. . . BRACKET ASSY-LH			01
- 22	2631046-8	. . . BRACKET ASSY-RH			01
23	MS27641-4	. . . BEARING			01
24	2631021-12	. . . SPAR ASSY-AFT			01
25	2631021-15	. . . SPAR WEB .025 2024 T3			01
26	2631021-13	. . . SPAR CAP-LH S2462-6			01
- 27	2631021-5	. . . SPAR STRAP-LH S2603-1			01
28	2631021-14	. . . SPAR CAP-RH S2462-6			01
- 29	2631021-6	. . . SPAR STRAP-RH S2603-1			01

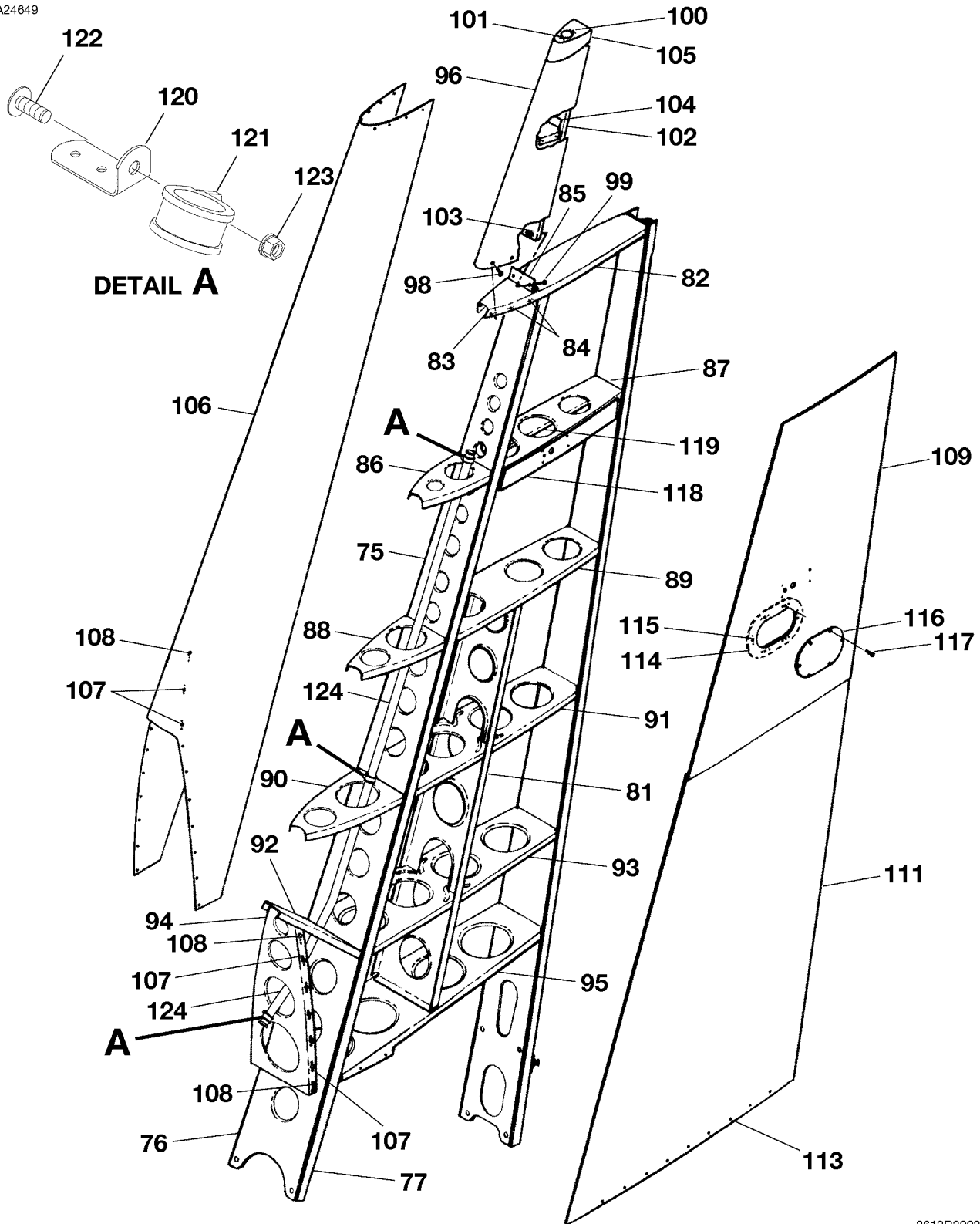
NOTE 1—WHEN ORDERING A VERTICAL FIN ASSY, SPECIFY TIP ASSY REQUIRED

NOTE 2—AIRPLANES -B0319 & ON AND -B0001 THRU -B0318 INCORPORATING SK208-99, SK208-104, AND SK208-105.

NOTE 3—WHEN ORDERING DDA PART NUMBERS, ALSO PROVIDE REFERENCE DRAWING NUMBER SHOWN IN NOMENCLATURE COLUMN.

CESSNA®
MODEL 208
 ILLUSTRATED PARTS CATALOG

A24649



VERTICAL FIN INSTALLATION
 FIGURE 04 (SHEET 2)

2613R2003
 A2631T1005

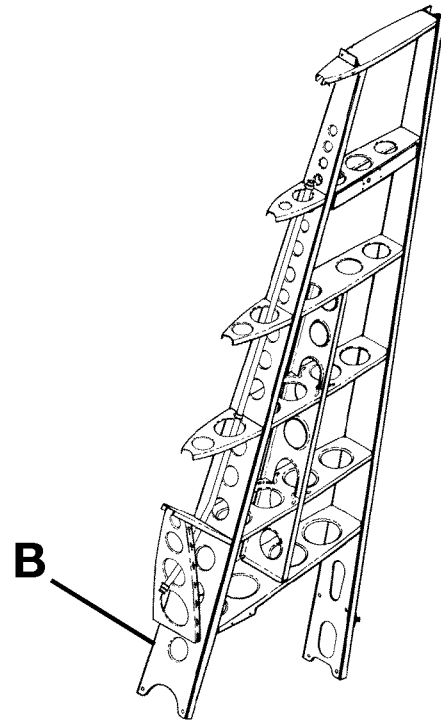
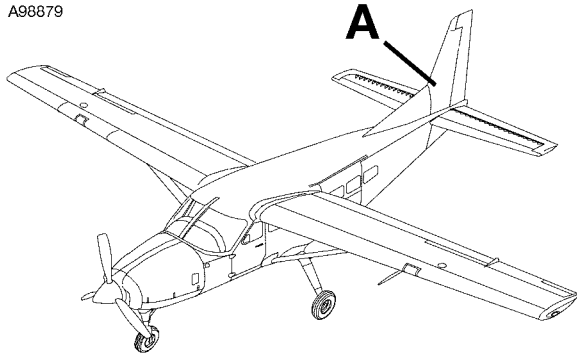
CESSNA®
MODEL 208
ILLUSTRATED PARTS CATALOG

FIG ITEM	PART NUMBER	NOMENCLATURE	UNITS	
			PER	ASSY
04				
75	2631022-1	FRONT SPAR ASSY		01
76	2631022-2	SPAR WEB .040 2024 T42		01
77	2631022-5	SPAR CAP-LH S1965-4		01
- 78	2631022-3	SPAR STRAP-LH S2603-1		01
- 79	2631022-6	SPAR CAP-RH S1965-1		01
- 80	2631022-4	SPAR STRAP-RH S2603-1		01
81	2631005-1	AUXILIARY SPAR		01
82	2631042-4	RIB ASSY WL 207.50		01
83	MS21053L08	NUTPLATE		02
84	MS21049L08	NUTPLATE		04
85	2631042-3	CLIP ANGLE		01
86	2631009-3	NOSE RIB-LEADING EDGE WL 191.00 .025 2024 T42		01
87	2631006-2	RIB WL 191.00 .025 2024 T42	B0319 B2001	01
- 87A	2631006-3	RIB WL 191.00 .025 2024 T42	B2002 & ON	01
88	2631009-2	NOSE RIB-LEADING EDGE WL 176.00 .025 2024 T42		01
89	2631007-1	RIB WL 176.00 .032 2024 T42		01
90	2631009-1	NOSE RIB-LEADING EDGE WL 162.00 .025 2024 T42		01
91	2631008-1	FIN RIB WL 162.00 .032 2024 T42		01
92	2631033-1	RIB CANT WL 148.00 .020 2024 T42		01
93	2631008-2	FIN RIB WL 148.00 .032 2024 T42		01
94	2631032-1	RIB-DORSAL ATTACHMENT .032 2024 T42		01
95	2631020-1	RIB ASSY CANT WL 136.33 .025 2024 T42		01
96	2631039-1	TIP ASSY-VERTICAL FIN W/FLASHING BEACON FSO 2631039-15	B0319 B0397	NP
- 96A	2631039-9	TIP ASSY-VERTICAL FIN-W/FLASHING BEACON FSO 2631039-15	B0398 B0929	NP
- 96B	2631039-13	TIP ASSY-VERTICAL FIN-FSO 2631039-15	B0930 B2001	NP
- 96C	2631039-15	TIP ASSY-VERTICAL FIN	B2002 & ON	01
- 97	2631039-7	TIP ASSY-VERTICAL FIN-W/O FLASHING BEACON FSO 2631039-10	B0180 B0397	NP
- 97A	2631039-10	TIP ASSY-VERTICAL FIN-W/O FLASHING BEACON	B0398 B1026	01
		ATTACHING PARTS		
98	MS24694-S5	SCREW		06
99	AN3-3	BOLT		02
		—*		
100	MS21047L08	NUTPLATE		01
101	MS21069L08	NUTPLATE		01
102	2631043-1	SPAR ASSY-VERTICAL FIN TIP FSO 2631043-3	B0319 B0929	NP
- 102A	2631043-3	SPAR ASSY-VERTICAL FIN TIP	B0930 & ON	01
103	MS21051L08	NUTPLATE		02
104	2631044-1	RIB FSO 2631044-2	B0319 B0929	NP
- 104A	2631044-2	RIB	B0930 & ON	01
105	2631039-5	CAP ASSY W/FLASHING BEACON		01
- 105A	2631039-8	CAP W/O FLASHING BEACON	B0180 B0397	01
106	2631000-15	SKIN-LEADING EDGE .025 2024 T3		01
107	MS21047L3	NUTPLATE		14
108	NAS682A3	NUTPLATE		06
109	2631000-11	SKIN-UPR LH .020 2024 T42		01
- 110	2631000-12	SKIN-UPR RH .020 2024 T42		01
111	2631000-7	SKIN ASSY-LWR LH .025 2024 T42	B0319 B0932	01
- 111A	2631000-21	SKIN ASSY-LWR LH .025 2024 T42	B0933 & ON	01
- 112	2631000-8	SKIN ASSY-LWR RH .025 2024 T42	B0319 B0932	01
- 112A	2631000-22	SKIN ASSY-LWR RH .025 2024 T42	B0933 & ON	01
113	MS21059L3	NUTPLATE	B0319 B2001	18
- 113A	MS21059L3K	NUTPLATE	B2002 & ON	18
114	2531062-2	DOUBLER ASSY-LH ONLY .040 2024 T42		01
115	NAS681A08	NUTPLATE		06
116	2531062-1	COVER-LH ONLY .020 2024 T42		01
		ATTACHING PARTS		
117	MS24693-S48	SCREW		06
		—*		
118	2631034-1	SUPPORT-ANTENNA LH	B0319 B2001	01
- 118A	2631050-1	SUPPORT-ANTENNA LH	B2002 & ON	01
119	2631034-2	SUPPORT-ANTENNA RH	B0319 B2001	01
- 119A	2631050-2	SUPPORT-ANTENNA RH	B2002 & ON	01
120	S3050-6	BRACKET	B2000 & ON	03
121	MS21919WCJ12	CLAMP	B2000 & ON	03
122	AN525-10R8	SCREW	B2000 & ON	03
123	MS21042-3	NUT	B2000 & ON	03
124	2601517-2	CONDUIT-VT TKS	B2000 & ON	01

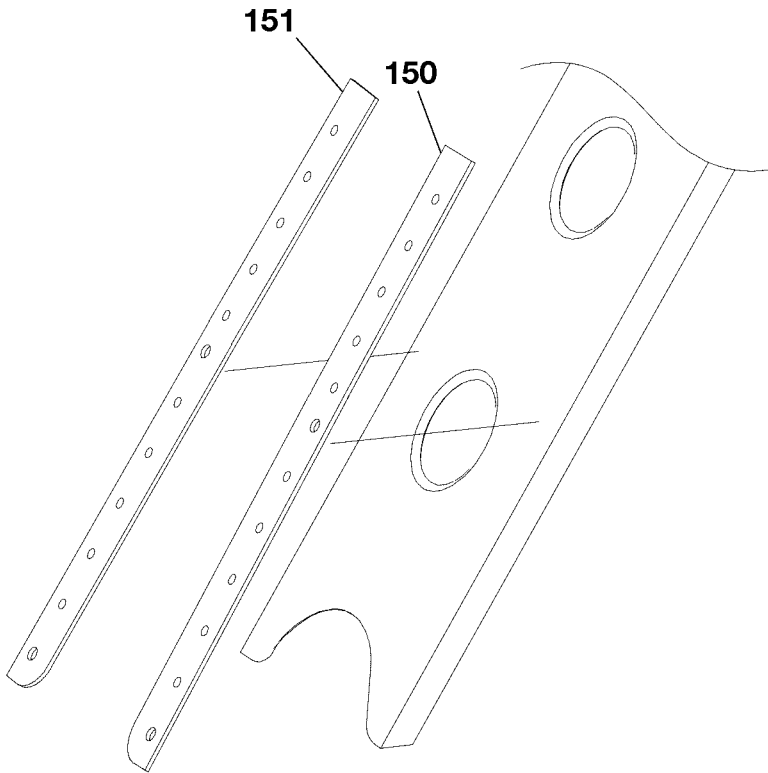
- ITEM NOT ILLUSTRATED

CESSNA®
MODEL 208
ILLUSTRATED PARTS CATALOG

A98879



DETAIL A



DETAIL B

VERTICAL FIN INSTALLATION
FIGURE 04 (SHEET 3)

2610T7002
A26122008
B26122008

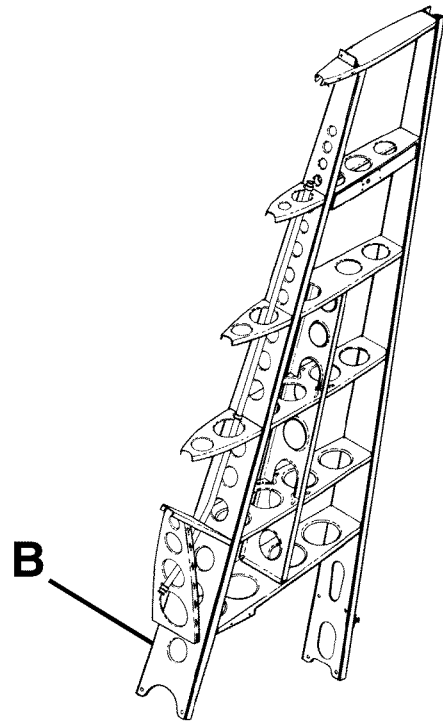
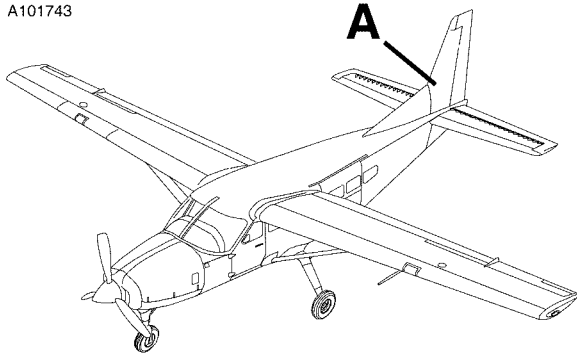
CESSNA®
MODEL 208
ILLUSTRATED PARTS CATALOG

FIG ITEM	PART NUMBER	NOMENCLATURE	1 2 3 4 5 6 7							UNITS PER ASSY		
04												
150	DDA06717-3	. SHIM-LH REF 2631000 REFER TO NOTE 1									B5179	B5179 01
- 150A	DDA06721-3	. SHIM-LH REF 2631000 REFER TO NOTE 1									B5181	B5181 01
- 150B	DDA06723-3	. SHIM-LH REF 2631000 REFER TO NOTE 1									B5147	B5147 01
- 150C	DDA06724-3	. SHIM-LH REF 2631000 REFER TO NOTE 1									B5172	B5172 01
- 150D	DDA06726-3	. SHIM-LH REF 2631000 REFER TO NOTE 1									B5182	B5182 01
- 150E	DDA06727-3	. SHIM-LH REF 2631000 REFER TO NOTE 1									B5183	B5183 01
- 150F	DDA06728-3	. SHIM-LH REF 2631000 REFER TO NOTE 1									B5184	B5184 01
- 150G	DDA06729-3	. SHIM-LH REF 2631000 REFER TO NOTE 1									B5185	B5185 01
- 150H	DDA06730-3	. SHIM-LH REF 2631000 REFER TO NOTE 1									B5186	B5186 01
- 150J	DDA06731-3	. SHIM-LH REF 2631000 REFER TO NOTE 1									B5187	B5187 01
- 150K	DDA06732-3	. SHIM-LH REF 2631000 REFER TO NOTE 1									B5188	B5188 01
- 150L	DDA06733-3	. SHIM-LH REF 2631000 REFER TO NOTE 1									B5189	B5189 01
- 150M	DDA06734-3	. SHIM-LH REF 2631000 REFER TO NOTE 1									B5190	B5190 01
- 150N	DDA06735-3	. SHIM-LH REF 2631000 REFER TO NOTE 1									B5191	B5191 01
- 150P	DDA06737-3	. SHIM-LH REF 2631000 REFER TO NOTE 1									B5124	B5124 01
- 150Q	DDA06738-3	. SHIM-LH REF 2631000 REFER TO NOTE 1									B5155	B5155 01
- 150R	DDA06739-3	. SHIM-LH REF 2631000 REFER TO NOTE 1									B5160	B5160 01
- 150S	DDA06740-3	. SHIM-LH REF 2631000 REFER TO NOTE 1									B5161	B5161 01
- 150T	DDA06741-3	. SHIM-LH REF 2631000 REFER TO NOTE 1									B5164	B5164 01
- 150U	DDA06744-3	. SHIM-LH REF 2631000 REFER TO NOTE 1									B5192	B5192 01
- 150V	DDA06745-3	. SHIM-LH REF 2631000 REFER TO NOTE 1									B5193	B5193 01
- 150W	DDA06746-3	. SHIM-LH REF 2631000 REFER TO NOTE 1									B5194	B5194 01
151	DDA06717-2	. SHIM-RH REF 2631000 REFER TO NOTE 1									B5179	B5179 01
- 151A	DDA06721-2	. SHIM-RH REF 2631000 REFER TO NOTE 1									B5181	B5181 01
- 151B	DDA06723-2	. SHIM-RH REF 2631000 REFER TO NOTE 1									B5147	B5147 01
- 151C	DDA06724-2	. SHIM-RH REF 2631000 REFER TO NOTE 1									B5172	B5172 01
- 151D	DDA06726-2	. SHIM-RH REF 2631000 REFER TO NOTE 1									B5182	B5182 01
- 151E	DDA06727-2	. SHIM-RH REF 2631000 REFER TO NOTE 1									B5183	B5183 01
- 151F	DDA06728-2	. SHIM-RH REF 2631000 REFER TO NOTE 1									B5184	B5184 01
- 151G	DDA06729-2	. SHIM-RH REF 2631000 REFER TO NOTE 1									B5185	B5185 01
- 151H	DDA06730-2	. SHIM-RH REF 2631000 REFER TO NOTE 1									B5186	B5186 01
- 151J	DDA06731-2	. SHIM-RH REF 2631000 REFER TO NOTE 1									B5187	B5187 01
- 151K	DDA06732-2	. SHIM-RH REF 2631000 REFER TO NOTE 1									B5188	B5188 01
- 151L	DDA06733-2	. SHIM-RH REF 2631000 REFER TO NOTE 1									B5189	B5189 01
- 151M	DDA06734-2	. SHIM-RH REF 2631000 REFER TO NOTE 1									B5190	B5190 01
- 151N	DDA06735-2	. SHIM-RH REF 2631000 REFER TO NOTE 1									B5191	B5191 01
- 151P	DDA06737-2	. SHIM-RH REF 2631000 REFER TO NOTE 1									B5124	B5124 01
- 151Q	DDA06738-2	. SHIM-RH REF 2631000 REFER TO NOTE 1									B5155	B5155 01
- 151R	DDA06739-2	. SHIM-RH REF 2631000 REFER TO NOTE 1									B5160	B5160 01
- 151S	DDA06740-2	. SHIM-RH REF 2631000 REFER TO NOTE 1									B5161	B5161 01
- 151T	DDA06741-2	. SHIM-RH REF 2631000 REFER TO NOTE 1									B5164	B5164 01
- 151U	DDA06744-2	. SHIM-RH REF 2631000 REFER TO NOTE 1									B5192	B5192 01
- 151V	DDA06745-2	. SHIM-RH REF 2631000 REFER TO NOTE 1									B5193	B5193 01
- 151W	DDA06746-2	. SHIM-RH REF 2631000 REFER TO NOTE 1									B5194	B5194 01

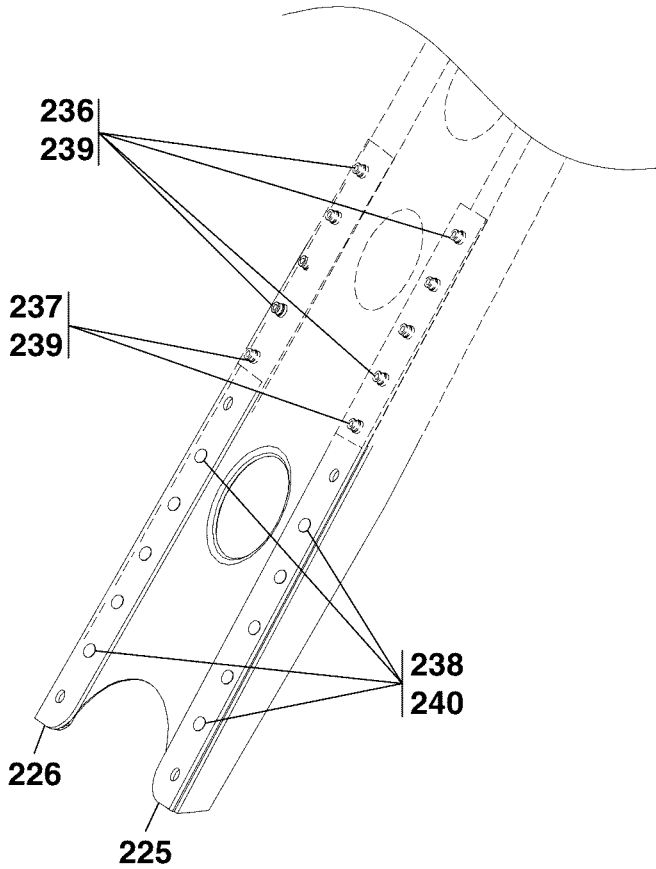
NOTE 1—WHEN ORDERING DDA PART NUMBERS, ALSO PROVIDE REFERENCE DRAWING NUMBER SHOWN IN NOMENCLATURE COLUMN.

CESSNA®
MODEL 208
ILLUSTRATED PARTS CATALOG

A101743



DETAIL A



DETAIL B

VERTICAL FIN INSTALLATION
FIGURE 04 (SHEET 4)

2610T7002
A26122008
B26122008

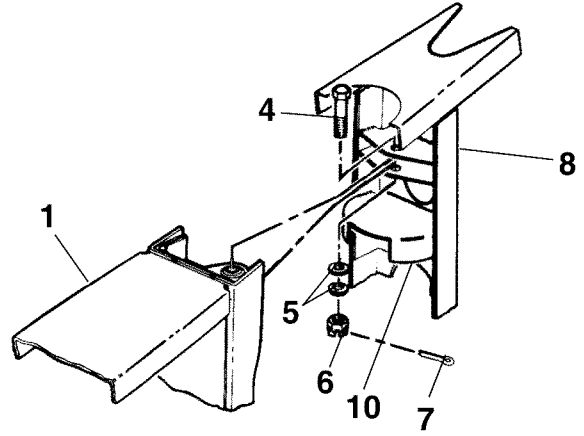
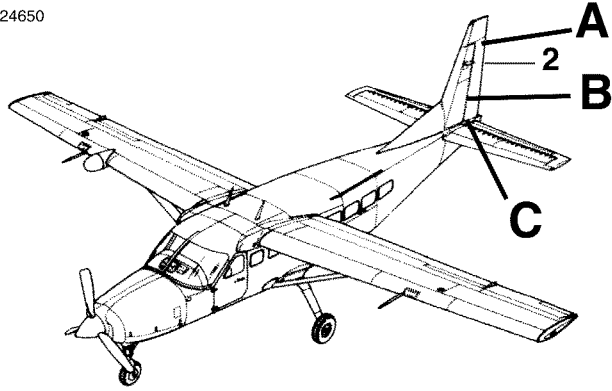
CESSNA®
MODEL 208
 ILLUSTRATED PARTS CATALOG

FIG ITEM	PART NUMBER	NOMENCLATURE							UNITS PER ASSY	
		1	2	3	4	5	6	7		
04										
225	2693003-1	.	SHIM-LH	0.020	IN REFER TO NOTE 1	.			AR	
226	2693003-2	.	SHIM-RH	0.020	IN REFER TO NOTE 1	.			AR	
- 226A	2693003-4	.	SHIM-RH	0.040	IN REFER TO NOTE 1	.			AR R	
- 227	2693003-3	.	SHIM-LH	0.040	IN REFER TO NOTE 1	.			AR	
- 228	2693003-5	.	SHIM-LH	0.063	IN REFER TO NOTE 1	.			AR	
- 229	2693003-6	.	SHIM-RH	0.063	IN REFER TO NOTE 1	.			AR	
- 230	2693003-7	.	SHIM-LH	0.080	IN REFER TO NOTE 1	.			AR	
- 231	2693003-8	.	SHIM-RH	0.080	IN REFER TO NOTE 1	.			AR	
- 232	2693003-9	.	SHIM-LH	0.100	IN REFER TO NOTE 1	.			AR	
- 233	2693003-10	.	SHIM-RH	0.100	IN REFER TO NOTE 1	.			AR	
- 234	2693003-11	.	SHIM-LH	0.120	IN REFER TO NOTE 1	.			AR	
- 235	2693003-12	.	SHIM-RH	0.120	IN REFER TO NOTE 1	.			AR	
			ATTACHING PARTS							
236	HL10VBJ5-4	.	PIN REFER TO NOTE 1	.			V73197		08	
237	HL10VBJ5-5	.	PIN REFER TO NOTE 1	.			V73197		02	
238	HL11VBJ6-5	.	PIN REFER TO NOTE 1	.			V73197		10	
239	HL82-5ADW	.	COLLAR REFER TO NOTE 1	.			V73197		10	
240	HL82-6ADW	.	COLLAR REFER TO NOTE 1	.			V73197		10	

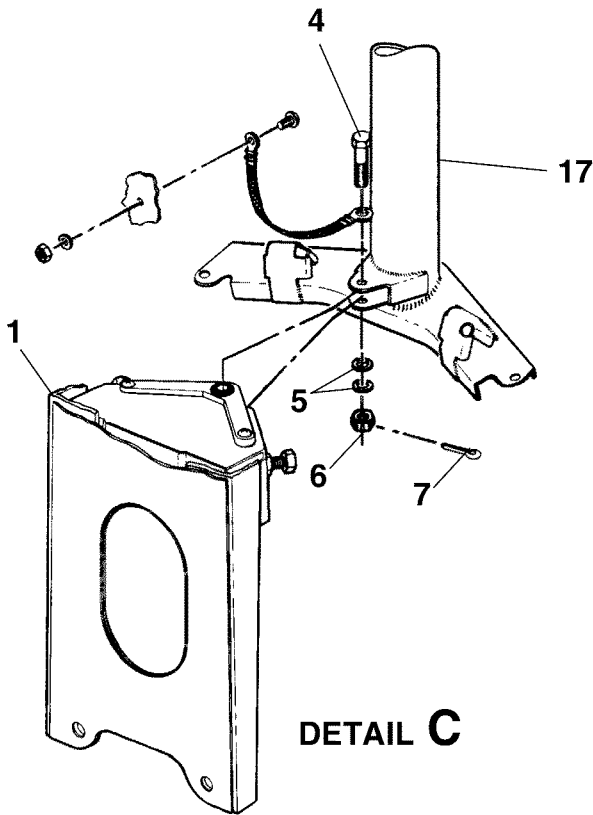
NOTE 1—AIRPLANES -0547 THRU -0568 AND AIRPLANES -B5005 THRU -B5123, -B5125 THRU -B5146, -B5148 THRU -B5151, -B5153, -B5154, -B5156 THRU -B5159, -B5162, -B5163, -B5165, -B5167 THRU -B5171, AND -B5173 THRU -B5178 INCORPORATING CAB-55-01

CESSNA®
MODEL 208
ILLUSTRATED PARTS CATALOG

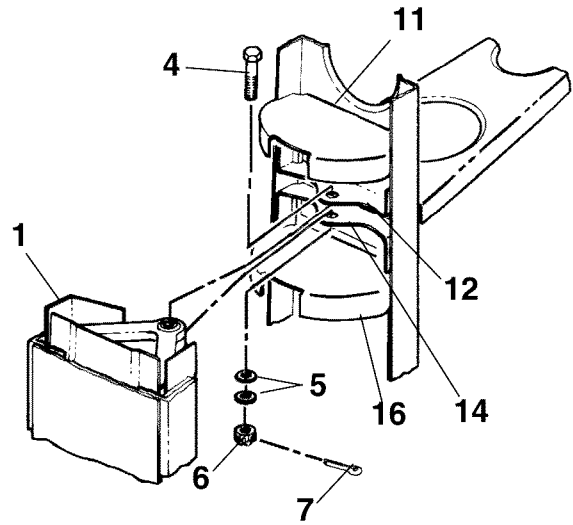
A24650



DETAIL A



DETAIL C



DETAIL B

26107001
A26331006
B26331007
C26331005

RUDDER INSTALLATION
FIGURE 01 (SHEET 1)

CESSNA®
MODEL 208
ILLUSTRATED PARTS CATALOG

FIG ITEM	PART NUMBER	NOMENCLATURE	UNITS PER ASSY		
			1	2	3
01		RUDDER INSTALLATION REFER TO NOTE 1			RF
-		. VERTICAL FIN INSTALLATION REFER TO 55-30-00 FIGURE 01			RF
1		. RUDDER ASSY FSO 2633000-204 REFER TO NOTE 2	0001	0016	NP R
2	2633000-11	. RUDDER ASSY FSO 2633000-204 REFER TO NOTE 2	0017	0028	NP R
- 3	2633000-18	. RUDDER ASSY SPARES FSO 2633000-204			NP R
- 3A	2633000-202	. RUDDER ASSY SPARES			NP R
- 3B	2633000-204	. RUDDER ASSY SPARES			01 R
		ATTACHING PARTS			
4	AN4-11	. BOLT			03
5	NAS1149F0463P	. WASHER			06
6	MS17825-4	. NUT			03
7	MS24665-134	. COTTER PIN			03
		_			
8	2633034-1	. . HINGE ASSY UPR FSO 2633034-5	0001	0016	01
- 9	2633034-5	. . HINGE ASSY UPR	0017	0028	01
10	2633024-1	. . RIB-WL 204.38 .020 2024 T42			01
11	2633024-2	. . RIB-WL 164.13 .020 2024 T42			01
12	2631013-2	. . BRACKET-UPR CENTER FSO 2631013-4	0001	0016	01
- 13	2631013-4	. . BRACKET-UPR CENTER .050 2024 T42	0017	0028	01
14	2631013-1	. . BRACKET-LWR CENTER FSO 2631013-3	0001	0016	01
- 15	2631013-3	. . BRACKET-LWR CENTER .050 2024 T42	0017	0028	01
16	2633024-3	. . RIB-WL 160.13 .020 2024 T42			01
17	2633022-1	. . TORQUE TUBE ASSY-RUDDER FSO 2633066-5			NP R
- 18	2633066-3	. . TORQUE TUBE ASSY-RUDDER SPARES FSO 2633066-5			NP R
- 18A	2633066-5	. . TORQUE TUBE ASSY-RUDDER SPARES			01 R
- 19	5522876-1	. . SPACER			02
- 20	NAS1149F0663P	. . WASHER			02

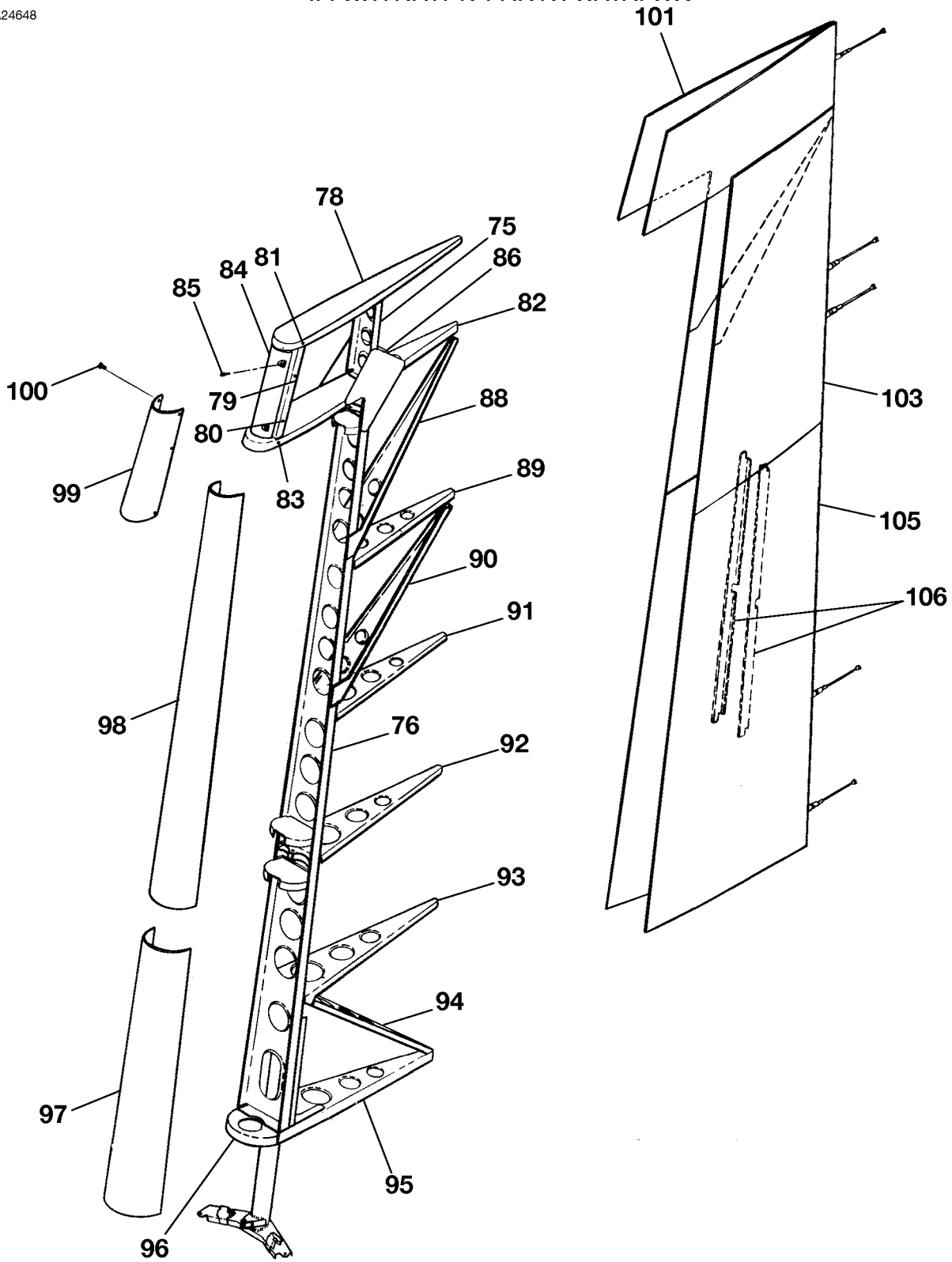
NOTE 1—AIRPLANES -0001 THRU -0028 NOT INCORPORATING SK208-13, SK208-99, SK208-104 & SK208-105.

NOTE 2—WHEN REPLACING THE 2633000-11 OR -18 RUDDER ASSEMBLY WITH THE 2633063-204 RUDDER ASSEMBLY SPARE, YOU MUST FIRST COMPLY WITH SK208-99, SK208-104, AND SK208-105.

R

CESSNA®
MODEL 208
ILLUSTRATED PARTS CATALOG

A24648



RUDDER INSTALLATION
FIGURE 01 (SHEET 2)

26332003

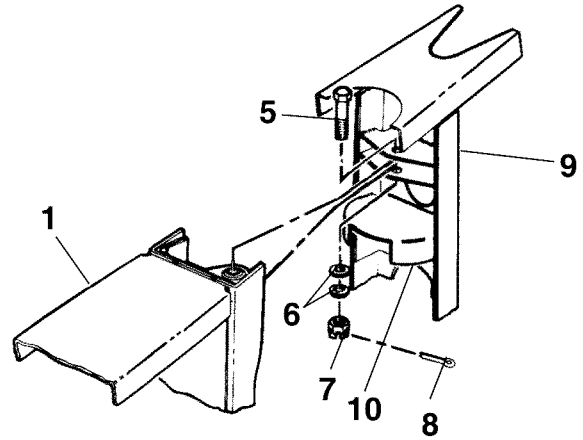
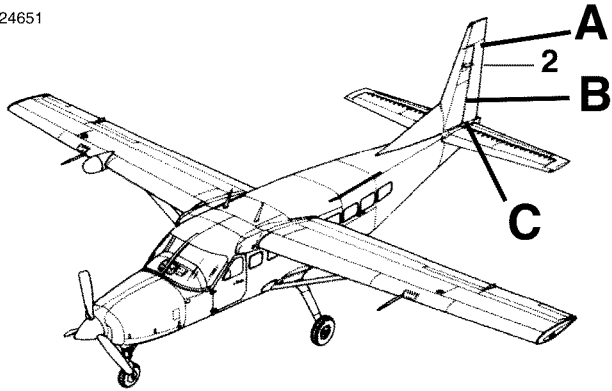
CESSNA®
MODEL 208
ILLUSTRATED PARTS CATALOG

FIG ITEM	PART NUMBER	NOMENCLATURE	UNITS PER ASSY		
			1	2	3
01					
75	2633005-1	.. SPAR-RUDDER UPR .025 2024 T3			01
76	2633025-1	.. SPAR-RUDDER .032 2024 T3 FSO 2633025-2	0001	0016	01
- 77	2633025-2	.. RUDDER SPAR .032 2024 T3	0017	0028	01
78	2633007-1	.. RIB WL 217.50 .032 2024 T3			01
79	2633008-1	.. SUPPORT ASSY-BALANCE WEIGHT .032 2024 T42			01
80	MS21047L3K	.. NUTPLATE			08
81	MS21071L3	.. NUTPLATE			02
82	2633006-1	.. RIB ASSY WL 208.50 .032 2024 T42			01
83	MS21047L3K	.. NUTPLATE			02
84	2633029-4	.. BALANCE WEIGHT-RUDDER FSO 2633029-6			NP
- 84A	2633029-6	.. BALANCE WEIGHT-RUDDER			01
		ATTACHING PARTS			
85	AN3-10A	.. BOLT			04
		—*—			
86	2633033-1	.. GUSSET-RUDDER FSO 2633033-2	0001	0016	02
- 87	2633033-2	.. GUSSET-RUDDER .025 2024 T42	0017	0028	02
88	2633032-1	.. RIB CANTED WL 191.02 .025 2924 T42			01
89	2633004-1	.. RIB WL 191.00 .020 2924 T42			01
90	2633039-1	.. RIB CANTED WL 176.64 .025 2024 T42	0007	0028	01
91	2633003-1	.. RIB WL 176.00 .020 2024 T42			01
92	2633002-1	.. RIB WL 162.00 .020 2024 T42			01
93	2633001-1	.. RIB WL 148.00 .020 2024 T42			01
94	2633028-1	.. RIB CANTED WL 148.00 .020 2024 T42			01
95	2633016-1	.. RIB CANTED WL 134.99 .032 2024 T42			01
96	2633013-1	.. RIB-NOSE .032 2924 T42			01
97	2633000-10	.. SKIN-NOSE LWR .020 2024 T42			01
98	2633000-6	.. SKIN-NOSE UPR .020 2024 T42			01
99	2633000-7	.. SKIN-NOSE BALANCE WEIGHT .016 2024 T42			01
		ATTACHING PARTS			
100	AN525-10R6	.. SCREW			08
		—*—			
101	2633000-2	.. SKIN UPR .025 2024 T42 FSO 2633000-20			01
- 102	2633000-20	.. SKIN UPR .025 2024 T42			01
103	2633000-3	.. SKIN CTR .016 2024 T42 FSO 2633000-23			01
- 104	2633000-23	.. SKIN ASSY CTR .016 2024 T42			01
105	2633000-26	.. SKIN ASSY LWR .020 2024 T42			01
106	2633000-12	.. STIFFENER .016 2024 T42			02

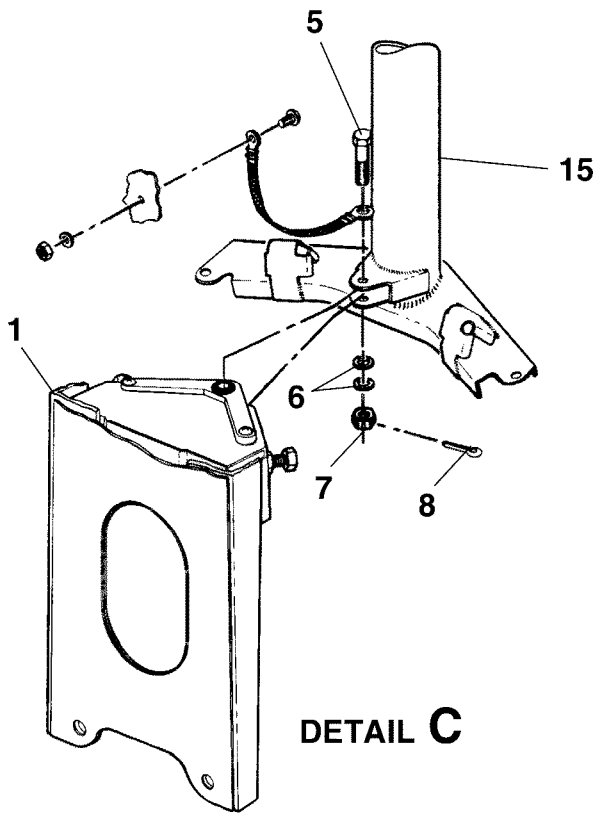
- ITEM NOT ILLUSTRATED

CESSNA®
MODEL 208
ILLUSTRATED PARTS CATALOG

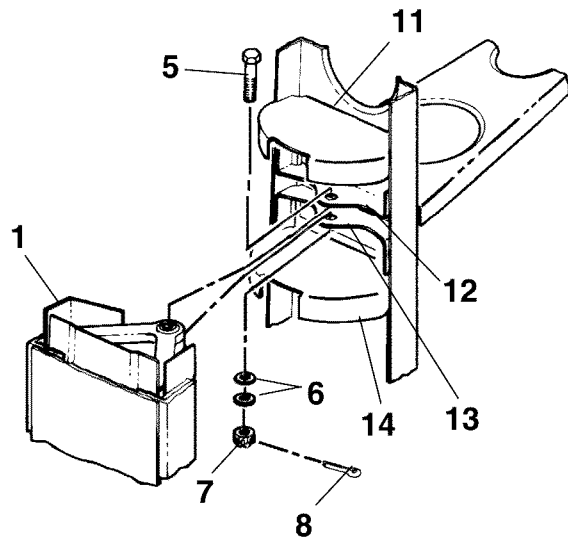
A24651



DETAIL A



DETAIL C



DETAIL B

26107001
A26331006
B26331007
C26331005

RUDDER INSTALLATION - 208
FIGURE 02 (SHEET 1)

CESSNA®
MODEL 208
ILLUSTRATED PARTS CATALOG

FIG ITEM	PART NUMBER	NOMENCLATURE	UNITS	
			PER	ASSY
02				
-		RUDDER INSTALLATION - 208 REFER TO NOTE 1		RF
1		. VERTICAL FIN INSTALLATION REFER TO 53-30-00 FIGURE 02		RF
2	2633000-13	. RUDDER ASSY FSO 2633000-203 REFER TO NOTE 2 AND NOTE 3	0007	0199 NP
- 3	2633000-31	. RUDDER ASSY FSO 2633000-203 REFER TO NOTE 3	0200	0215 NP
- 4	2633000-33	. RUDDER ASSY FSO 2633000-203 REFER TO NOTE 3	0216	0221 NP
- 4A	2633000-39	. RUDDER ASSY SPARES FSO 2633000-203		NP
- 4B	2633000-203	. RUDDER ASSY SPARES		01
		ATTACHING PARTS		
5	AN4-11	. BOLT		03
6	NAS1149F0463P	. WASHER		06
7	MS17825-4	. NUT		03
8	MS24665-134	. COTTER PIN		03
		—*		
9	2633034-5	. . HINGE ASSY UPR		01
10	2633024-1	. . RIB-WL 204.38 .020 2024 T42		01
11	2633024-2	. . RIB-WL 164.13 .020 2024 T42		01
12	2631013-4	. . BRACKET-HINGE UPR CENTER .050 2024 T42		01
13	2631013-3	. . BRACKET-HINGE LWR CENTER .050 2024 T42		01
14	2633024-3	. . RIB-WL 160.13 .020 2024 T42		01
15	2633022-1	. . TORQUE TUBE ASSY-RUDDER FSO 2633066-5	0001	0199 NP
- 16	2633022-3	. . TORQUE TUBE ASSY-RUDDER FSO 2633066-5	0200	0217 NP
- 17	2633066-3	. . TORQUE TUBE ASSY-RUDDER SPARES FSO 2633066-5		NP
- 18	2633066-5	. . TORQUE TUBE ASSY-RUDDER SPARES		01

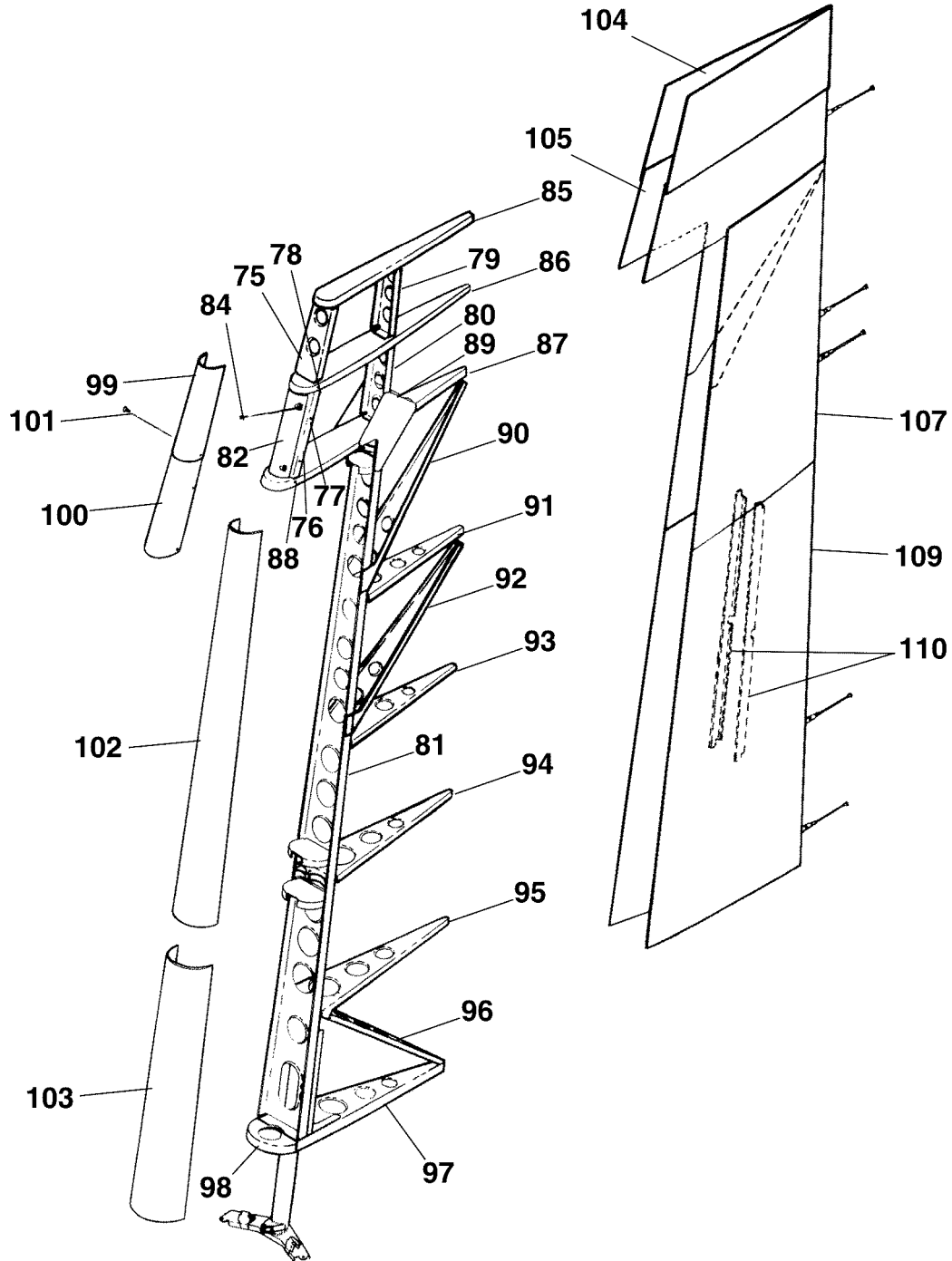
NOTE 1—AIRPLANES -0029 THRU -0221 NOT INCORPORATING SK208-99, SK208-104, & SK208-105 AND AIRPLANES -0007 THRU -0221 AND AIRPLANES -0001 THRU -0028 INCORPORATING SK208-13 AND NOT INCORPORATING SK208-99, SK208-104, & SK208-105.

NOTE 2—AIRPLANES -0007 THRU -0199 AND AIRPLANES -0001 THRU -0028 INCORPORATING SK 208-13.

NOTE 3—WHEN REPLACING THE 2633000-13, -31, OR -33 RUDDER ASSEMBLY WITH THE 2633063-203 RUDDER ASSEMBLY SPARE, YOU MUST FIRST COMPLY WITH SK208-99, SK208-104, AND SK208-105.

CESSNA®
MODEL 208
ILLUSTRATED PARTS CATALOG

A24652



RUDDER INSTALLATION - 208
FIGURE 02 (SHEET 2)

26332003A

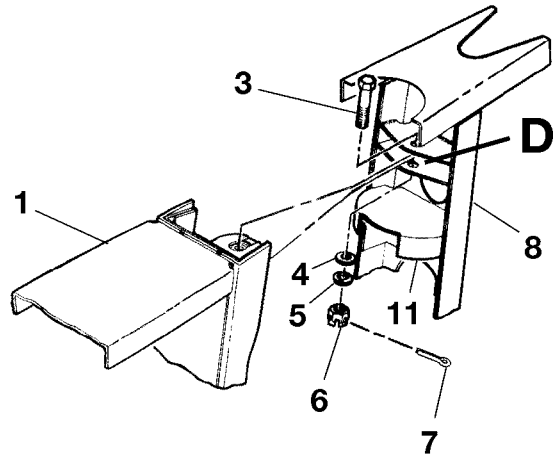
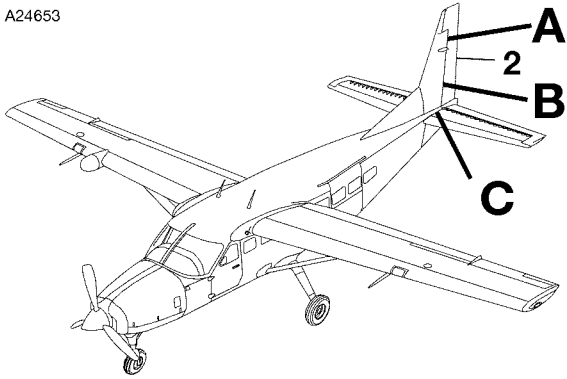
CESSNA®
MODEL 208
ILLUSTRATED PARTS CATALOG

FIG ITEM	PART NUMBER	NOMENCLATURE	UNITS	
			PER	ASSY
02				
75	2633037-1	.. SPAR-RUDDER UPR FWD .025 2024 T42		01
76	2633008-1	.. SUPPORT ASSY-BALANCE WEIGHT .025 2024 T42		01
77	MS21047L3K	.. NUTPLATE		08
78	MS21071L3	.. NUTPLATE		02
79	2633036-1	.. SPAR-RUDDER UPR .025 2024 T42		01
80	2633005-1	.. SPAR-RUDDER .025 2024 T42		01
81	2633025-2	.. SPAR-RUDDER LWR .032 2024 T42		01
82	2633029-1	.. WEIGHT-RUDDER BALANCE FSO 2633029-6	0001	0215 NP
- 83	2633029-4	.. WEIGHT-RUDDER BALANCE FSO 2633029-6	0216	0240 NP
- 83A	2633029-6	.. WEIGHT-RUDDER BALANCE	0241	& ON 01
		ATTACHING PARTS		
84	AN3-10A	.. BOLT		04
		—*—		
85	2633038-1	.. RIB WL 225.50 .025 2024 T42		01
86	2633007-1	.. RIB WL 217.50 .032 2024 T42		01
87	2633006-1	.. RIB ASSY WL 208.50 .032 2024 T42		01
88	MS21047L3K	.. NUTPLATE		02
89	2633033-2	.. GUSSET-RUDDER .025 2024 T42		02
90	2633032-1	.. RIB CANTED WL 191.02 .025 2024 T42		01
91	2633004-1	.. RIB WL 191.00 .020 2024 T42		01
92	2633039-1	.. RIB CANTED WL 176.64 .025 2024 T42		01
93	2633003-1	.. RIB WL 176.00 .020 2024 T42		01
94	2633002-1	.. RIB WL 162.00 .020 2024 T42		01
95	2633001-1	.. RIB WL 148.00 .020 2024 T42		01
96	2633028-1	.. RIB CANTED WL 148.00 .020 2024 T42		01
97	2633016-1	.. RIB CANTED WL 134.99 .032 2024 T42 FSO 2633016-4		NP R
- 97A	2633016-4	.. RIB CANTED WL 134.99		01 R
98	2633013-1	.. RIB-NOSE .032 2024 T42		01
99	2633000-17	.. SKIN-NOSE UPPER .016 2024 T42		01
100	2633000-7	.. SKIN-NOSE BALANCE WEIGHT .016 2024 T42		01
		ATTACHING PARTS		
101	AN525-10R6	.. SCREW		08
		—*—		
102	2633000-6	.. SKIN-NOSE CTR .020 2024 T42		01
103	2633000-10	.. SKIN-NOSE LWR .020 2024 T42		01
104	2633000-16	.. SKIN-UPR .016 2024 T42		01
105	2633000-2	.. SKIN-UPR CTR FSO 2633000-20 .025 2024 T42	0007	0051 01
- 106	2633000-20	.. SKIN-UPR CTR .025 2024 T42	0052	0221 01
107	2633000-3	.. SKIN-LWR CTR FSO 2633000-23 .016 2024 T42	0007	0051 01
- 108	2633000-23	.. SKIN ASSY-LWR CTR .016 2024 T42	0052	0221 01
109	2633000-26	.. SKIN ASSY-LWR .020 2024 T42		01
110	2633000-12	.. STIFFENER .016 2024 T42		02

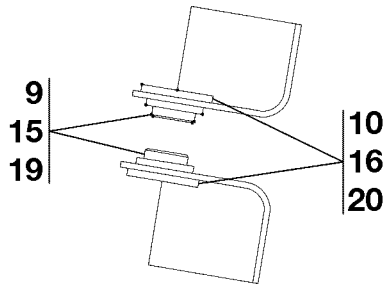
- ITEM NOT ILLUSTRATED

CESSNA®
MODEL 208
 ILLUSTRATED PARTS CATALOG

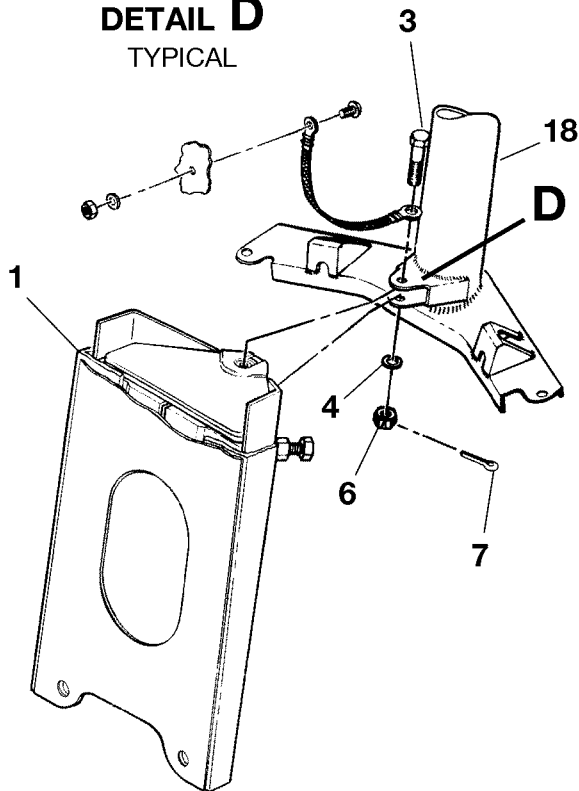
A24653



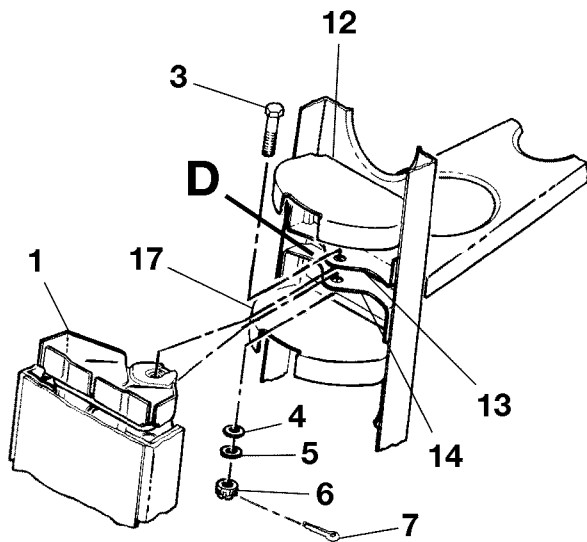
DETAIL A



DETAIL D
 TYPICAL



DETAIL C



DETAIL B

2610T7005
 A2633R1006A
 B2633R1007A
 C2633R1005B
 D2633T1011

RUDDER INSTALLATION - 208
 FIGURE 03 (SHEET 1)

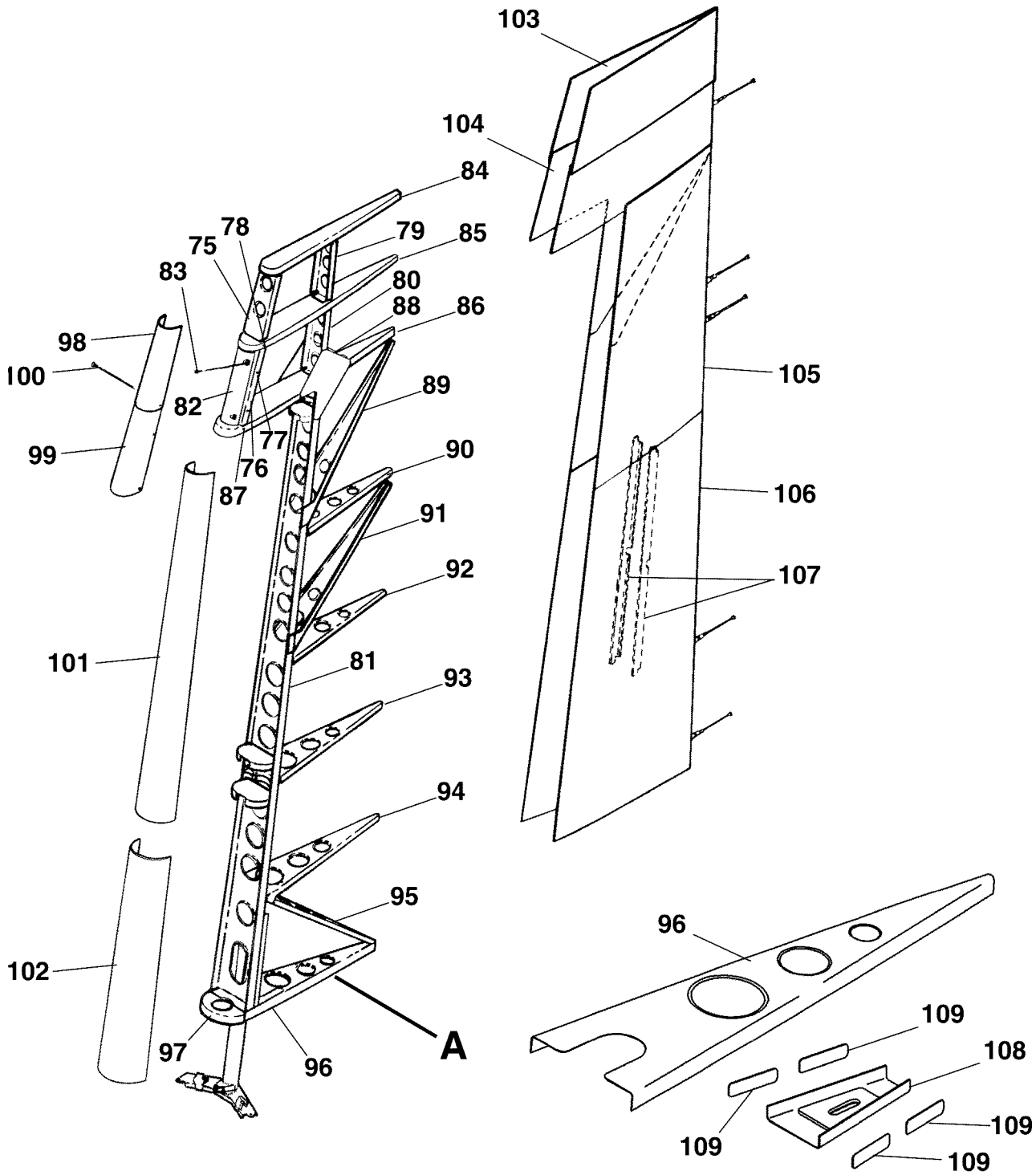
CESSNA®
MODEL 208
 ILLUSTRATED PARTS CATALOG

FIG ITEM	PART NUMBER	NOMENCLATURE	UNITS PER ASSY		
			1	2	3
03		RUDDER INSTALLATION - 208 REFER TO NOTE 1	0222	0395	RF R
-		. VERTICAL FIN INSTALLATION REFER TO 55-30-00 FIGURE 02			RF
1		. RUDDER ASSY FSO 2633000-203	0222	0370	NP
- 2A	2633000-39	. RUDDER ASSY FSO 2633000-203	0371	0395	NP R
- 2B	2633000-203	. RUDDER ASSY			01
		ATTACHING PARTS			
3	AN4-12	. BOLT			03
4	NAS1149F0463P	. WASHER UNDER NUT			03
5	NAS1149F0432P	. WASHER UNDER NUT			02
6	MS17825-4	. NUT			03
7	MS24665-134	. COTTER PIN			03
		—*—			
8	2633068-1	. . HINGE BRACKET ASSY UPPER			01
9	5522876-1	. . . SPACER			02
10	NAS1149F0663P	. . . WASHER			02
11	2633024-1	. . RIB-WL 204.38 .020 2024 T42			01
12	2633024-2	. . RIB-WL 164.13 .020 2024 T42			01
13	2633067-2	. . HINGE BRACKET ASSY-UPR CENTER .050 2024 T3			01
14	2633067-1	. . HINGE BRACKET ASSY-LWR CENTER .050 2024 T3			01
15	5522876-1	. . . SPACER			02
16	NAS1149F0663P	. . . WASHER			02
17	2633024-3	. . RIB-WL 160.13 .020 2024 T42			01
18	2633066-1	. . TORQUE TUBE ASSY-RUDDER FSO 2633066-5	0001	0370	NP
- 18A	2633066-3	. . TORQUE TUBE ASSY-RUDDER FSO 2633066-5	0380	0395	NP R
- 18B	2633066-5	. . TORQUE TUBE ASSY-RUDDER FOR SPARES			01 R
19	5522876-1	. . . SPACER			02
20	NAS1149F0663P	. . . WASHER			02

NOTE 1—AIRPLANES -0222 THRU -0395 AND AIRPLANES -0001 THRU -0221 INCORPORATING SK208-99, SK208-104, AND SK208-105. R

CESSNA®
MODEL 208
 ILLUSTRATED PARTS CATALOG

A24654



DETAIL A

AIRPLANES 20800237 AND ON

26332003A
 A2614T1186

RUDDER INSTALLATION - 208
 FIGURE 03 (SHEET 2)

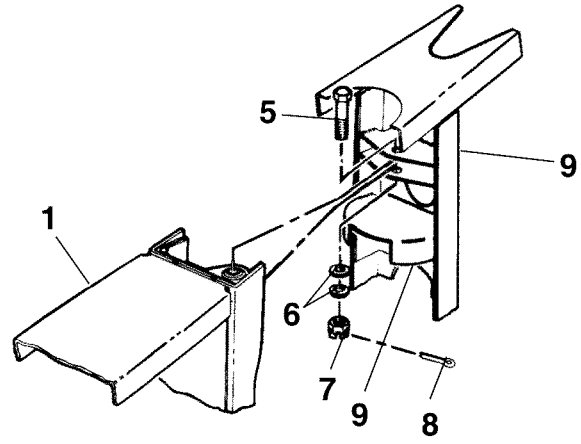
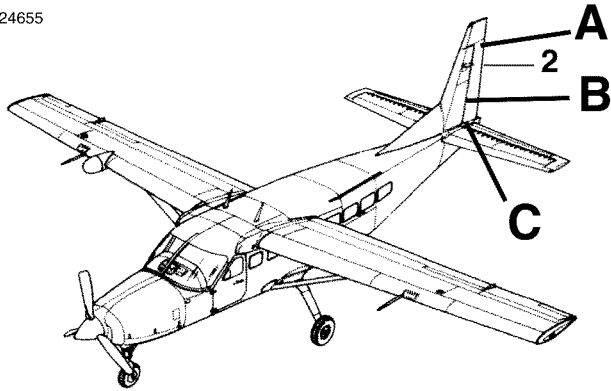
CESSNA®
MODEL 208
 ILLUSTRATED PARTS CATALOG

FIG ITEM	PART NUMBER	NOMENCLATURE	UNITS			
			PER	ASSY		
		1 2 3 4 5 6 7				
03						
75	2633037-1	. . . SPAR-RUDDER ASSY .025 2024 T42				01
76	2633008-1	. . . SUPPORT ASSY-BALANCE WEIGHT .032 2024 T42				01
77	MS21047L3K	. . . NUTPLATE				08
78	MS21071L3	. . . NUTPLATE				02
79	2633036-1	. . . SPAR-RUDDER UPR .025 2024 T42				01
80	2633005-1	. . . SPAR-RUDDER .025 2024 T42				01
81	2633025-2	. . . SPAR-RUDDER LWR .032 2024 T42				01
82	2633029-4	. . . BALANCE WEIGHT-RUDDER				01
		ATTACHING PARTS				
83	AN3-10A	. . . BOLT				04
		—*—				
84	2633038-1	. . . RIB WL 225.50 .025 2024 T42				01
85	2633007-1	. . . RIB WL 217.50 .032 2024 T42				01
86	2633006-1	. . . RIB ASSY WL 208.50 .032 2024 T42				01
87	MS21047L3K	. . . NUTPLATE				02
88	2633033-2	. . . GUSSET-RUDDER .025 2024 T42				02
89	2633032-1	. . . RIB CANTED WL 191.02 .025 2024 T42				01
90	2633004-1	. . . RIB WL 191.00 .020 2024 T42				01
91	2633039-1	. . . RIB CANTED WL 176.64 .025 2024 T42				01
92	2633003-1	. . . RIB WL 176.00 .020 2024 T42				01
93	2633002-1	. . . RIB WL 162.00 .020 2024 T42				01
94	2633001-1	. . . RIB WL 148.00 .020 2024 T42				01
95	2633028-1	. . . RIB CANTED WL 148.00 .020 2024 T42				01
96	2633016-1	. . . RIB CANTED WL 134.99 .032 2024 T42 FSO 2633016-4	0001	0370		NP R
- 96A	2633016-4	. . . RIB CANTED WL 134.99	0371	0395		01 R
97	2633013-1	. . . RIB-NOSE .032 2024 T42				01
98	2633000-17	. . . SKIN-NOSE UPPER .016 2024 T42				01
99	2633000-7	. . . SKIN-NOSE BALANCE WEIGHT .016 2024 T42				01
		ATTACHING PARTS				
100	AN525-10R6	. . . SCREW				08
		—*—				
101	2633000-6	. . . SKIN-NOSE CTR .020 2024 T42				01
102	2633000-10	. . . SKIN-NOSE LWR .020 2024 T42				01
103	2633000-16	. . . SKIN-UPR .016 2024 T42				01
104	2633000-20	. . . SKIN-UPR CTR .025 2024 T42				01
105	2633000-23	. . . SKIN ASSY-LWR CTR .016 2024 T42				01
106	2633000-26	. . . SKIN ASSY-LWR .020 2024 T42				01
107	2633000-12	. . . STIFFENER .016 2024 T42				02
108	AT-RL1027	. . . PLATE ASSY-STRIKE RUDDER LOCK V0TVR6 0222			& ON	01
109	AT-RL1018	. . . SHIM-RUDDER LOCK STRIKE PLATE V0TVR6 0222			& ON	04

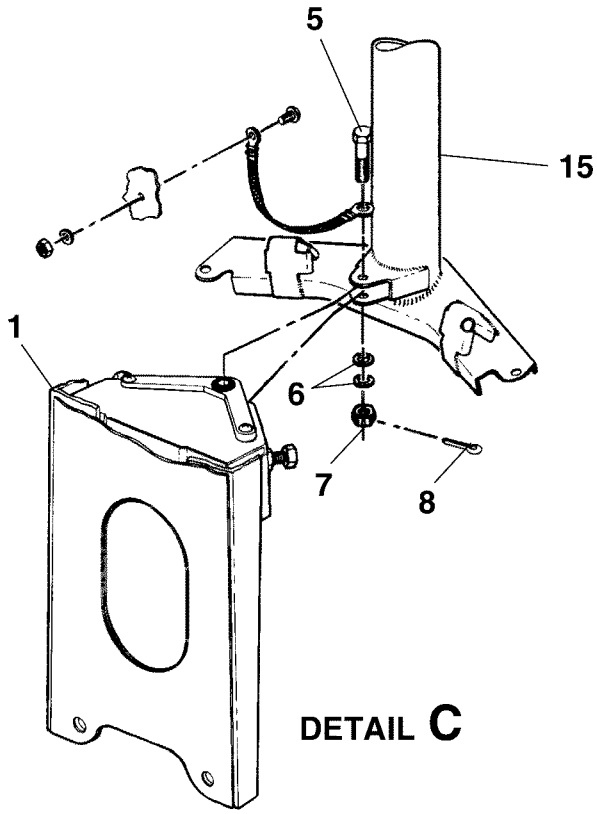
- ITEM NOT ILLUSTRATED

CESSNA®
MODEL 208
 ILLUSTRATED PARTS CATALOG

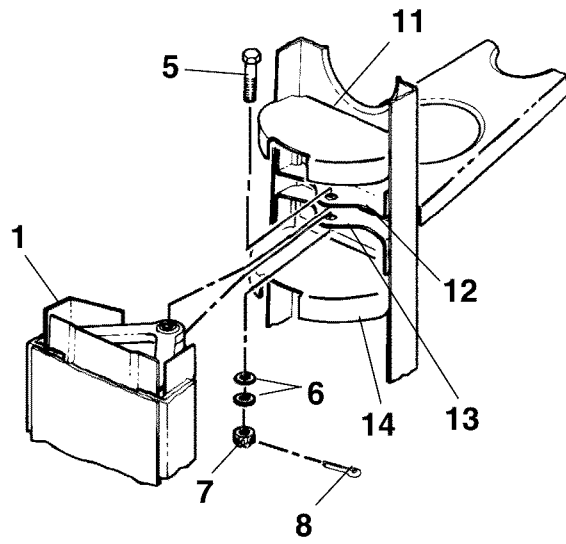
A24655



DETAIL A



DETAIL C



DETAIL B

RUDDER INSTALLATION - 208B
 FIGURE 04 (SHEET 1)

26107001
 A26331006
 B26331007
 C26331005

CESSNA®
MODEL 208
ILLUSTRATED PARTS CATALOG

FIG ITEM	PART NUMBER	NOMENCLATURE	UNITS PER ASSY	
			1 2 3 4 5 6 7	
04		RUDDER INSTALLATION - 208B REFER TO NOTE 1		RF
-		. VERTICAL FIN INSTALLATION REFER TO 55-30-00 FIGURE 02		RF
1		. RUDDER ASSY FSO 2633000-41 REFER TO NOTE 2	B0001	B0251 NP R
2	2633000-28	. RUDDER ASSY FSO 2633000-41 REFER TO NOTE 2	B0252	B0298 NP R
- 3	2633000-32	. RUDDER ASSY FSO 2633000-41 REFER TO NOTE 2	B0299	B0318 NP R
- 4	2633000-34	. RUDDER ASSY FSO 2633000-41 REFER TO NOTE 2		NP R
- 4A	2633000-40	. RUDDER ASSY SPARE FSO 2633000-41		NP R
- 4B	2633000-41	. RUDDER ASSY SPARE		01 R
		ATTACHING PARTS		
5	AN4-11	. BOLT		03
6	NAS1149F0463P	. WASHER UNDER NUT		06
7	MS17825-4	. NUT		03
8	MS24665-134	. COTTER PIN		03
		—*		
9	2633034-5	. . HINGE ASSY UPR		01
- 10	2633024-1	. . RIB-WL 204.38 .020 2024 T42		01
11	2633024-2	. . RIB-WL 164.13 .020 2024 T42		01
12	2631013-4	. . BRACKET-HINGE UPR CENTER .050 2024 T42		01
13	2631013-3	. . BRACKET-HINGE LWR CENTER .050 2024 T42		01
14	2633024-3	. . RIB-WL 160.13 .020 2024 T42		01
15	2633022-1	. . TORQUE TUBE ASSY-RUDDER FSO 2633066-5	B0001	B0251 NP R
- 15A	2633022-3	. . TORQUE TUBE ASSY-RUDDER FSO 2633066-5	B0252	B0318 NP R
- 15B	2633066-3	. . TORQUE TUBE ASSY-RUDDER SPARES FSO 2633066-5		NP R
- 15B	2633066-5	. . TORQUE TUBE ASSY-RUDDER SPARES		01 R

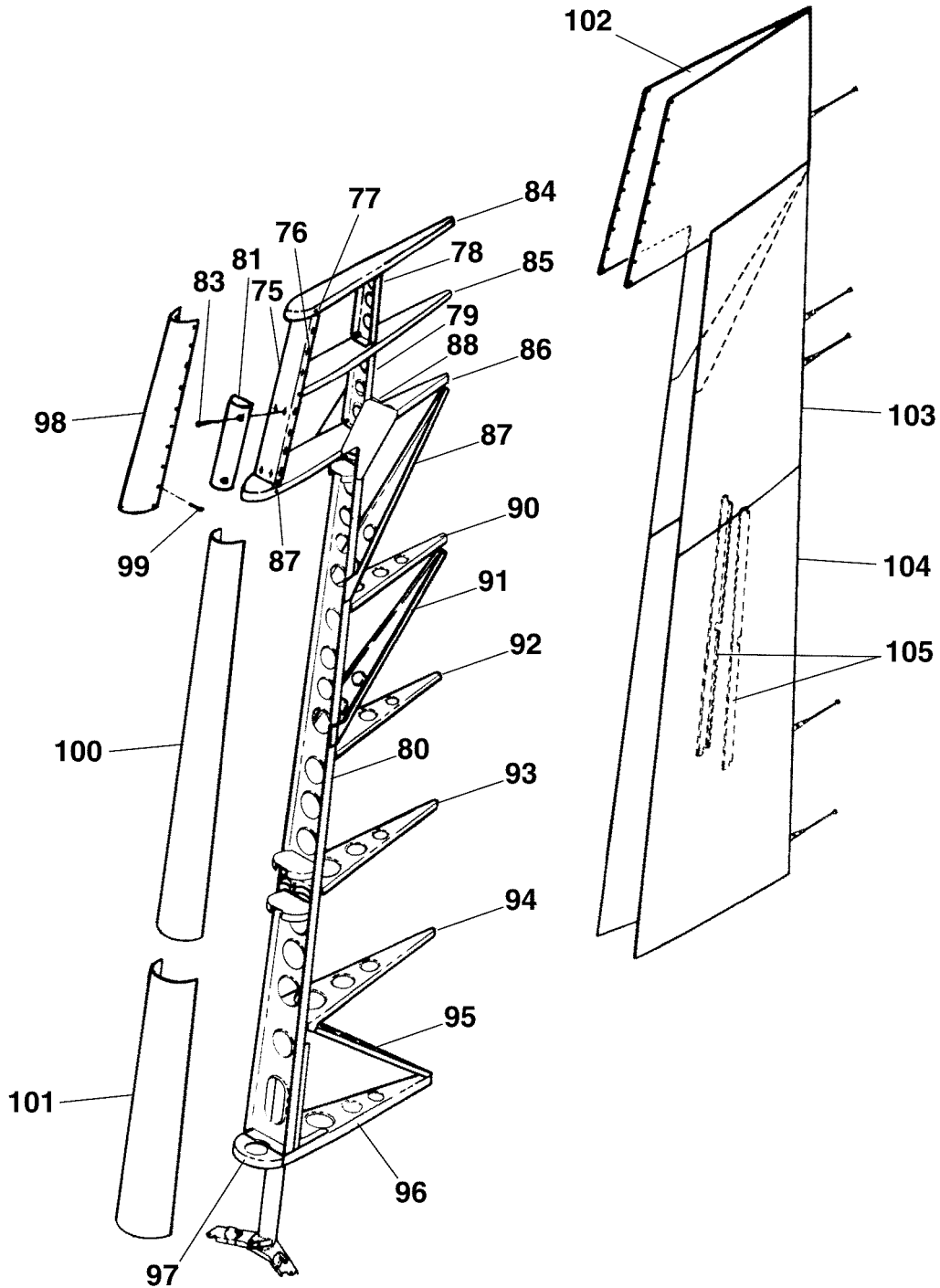
NOTE 1—AIRPLANES -B0001 THRU -B0318 NOT INCORPORATING SK208-99, SK208-104, AND SK208-105.

NOTE 2—WHEN REPLACING THE 2633000-28, -32, OR -34 RUDDER ASSEMBLY WITH THE 2633063-41 RUDDER ASSEMBLY, YOU MUST FIRST COMPLY WITH SK208-99, SK208-104, AND SK208-105

R

CESSNA®
MODEL 208
II ILLUSTRATED PARTS CATALOG

A24656



RUDDER INSTALLATION - 208B
FIGURE 04 (SHEET 2)

26332001

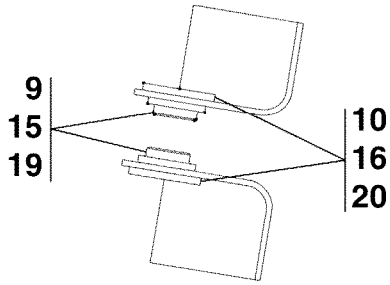
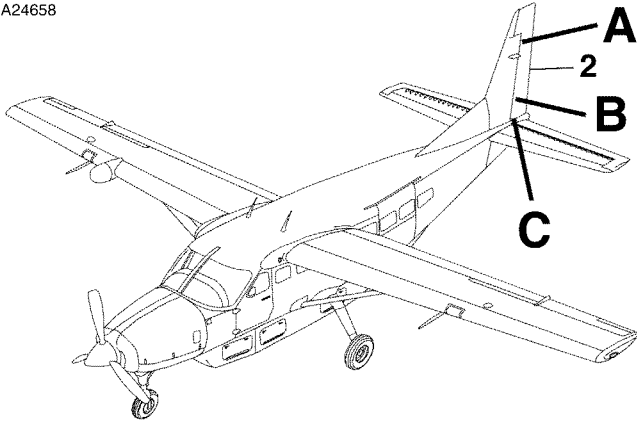
CESSNA®
MODEL 208
ILLUSTRATED PARTS CATALOG

FIG ITEM	PART NUMBER	1 2 3 4 5 6 7	NOMENCLATURE	UNITS	
				PER	ASSY
04					
75	2633061-1		.. SPAR ASSY-RUDDER UPR FWD .032 2024 T42		01
76	MS21047L3		.. NUTPLATE		18
77	MS21071L3		.. NUTPLATE		02
78	2633036-1		.. SPAR-RUDDER UPR .025 2024 T42		01
79	2633005-1		.. SPAR-RUDDER .025 2024 T42		01
80	2633025-2		.. SPAR-RUDDER LWR .032 2024 T42		01
81	2633026-1		.. BALANCE WEIGHT-RUDDER FSO 2633026-3	B0001 B0298	NP
- 82	2633026-2		.. BALANCE WEIGHT-RUDDER FSO 2633026-3	B0299 B0318	NP
- 82A	2633026-3		.. BALANCE WEIGHT-RUDDER	B0001 B0318	01
			ATTACHING PARTS		
83	AN3-10A		.. BOLT		04
			—*—		
84	2633058-1		.. RIB WL 225.50 .025 2024 T42		01
85	2633059-1		.. RIB ASSY WL 217.50 .032 2024 T42		01
86	2633060-1		.. RIB ASSY WL 208.50 .032 2024 T42		01
87	MS21047L3K		.. NUTPLATE		02
88	2633033-2		.. GUSSET-RUDDER .025 2024 T42		02
- 89	2633032-1		.. RIB CANTED WL 191.02 .025 2024 T42		01
90	2633004-1		.. RIB WL 191.00 .020 2024 T42		01
91	2633039-1		.. RIB CANTED WL 176.64 .025 2024 T42		01
92	2633003-1		.. RIB WL 176.00 .020 2024 T42		01
93	2633002-1		.. RIB WL 162.00 .020 2024 T42		01
94	2633001-1		.. RIB WL 148.00 .020 2024 T42		01
95	2633028-1		.. RIB CANTED WL 148.00 .020 2024 T42		01
96	2633016-1		.. RIB CANTED WL 134.99 .032 2024 T42 REFER TO NOTE 1		NP
97	2633013-1		.. RIB-NOSE .032 2024 T42		01
98	2633000-29		.. SKIN-NOSE .016 2024 T42		01
			ATTACHING PARTS		
99	AN525-10R6		.. SCREW		08
			—*—		
100	2633000-6		.. SKIN-NOSE CTR .020 2024 T42		01
101	2633000-10		.. SKIN-NOSE LWR .020 2024 T42		01
102	2633000-30		.. SKIN-UPR .025 2024 T42		01
103	2633000-23		.. SKIN ASSY-CTR .016 2024 T42		01
104	2633000-26		.. SKIN ASSY-LWR .020 2024 T42		01
105	2633000-12		.. STIFFENER .016 2024 T42		02

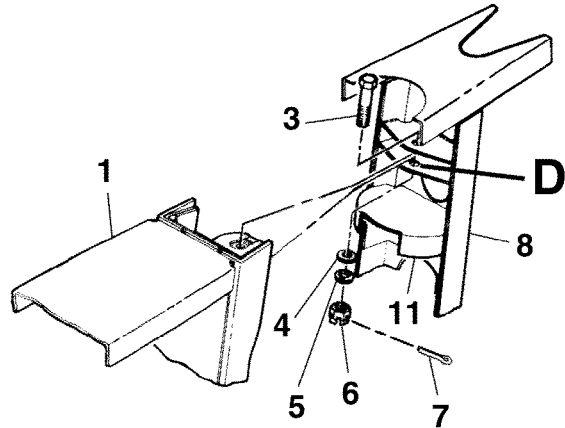
NOTE 1—FOR SPARES USE 2633016-4 AND SK208-149.

CESSNA®
MODEL 208
 ILLUSTRATED PARTS CATALOG

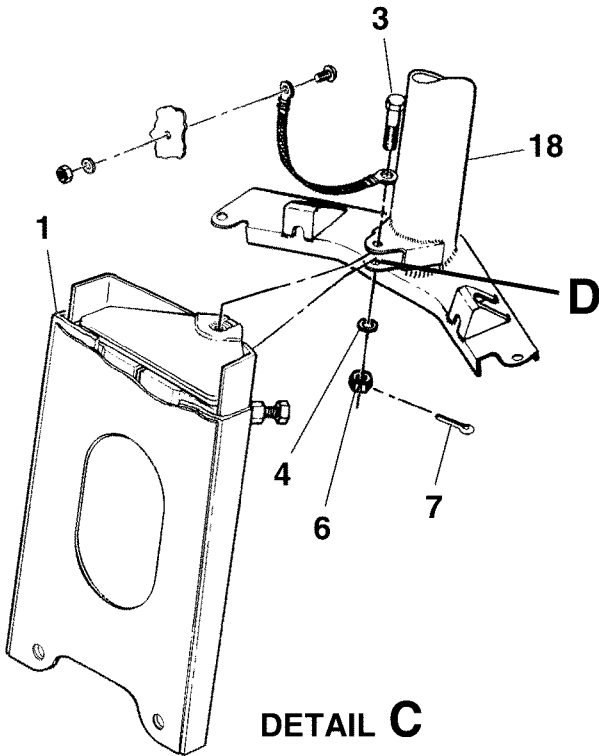
A24658



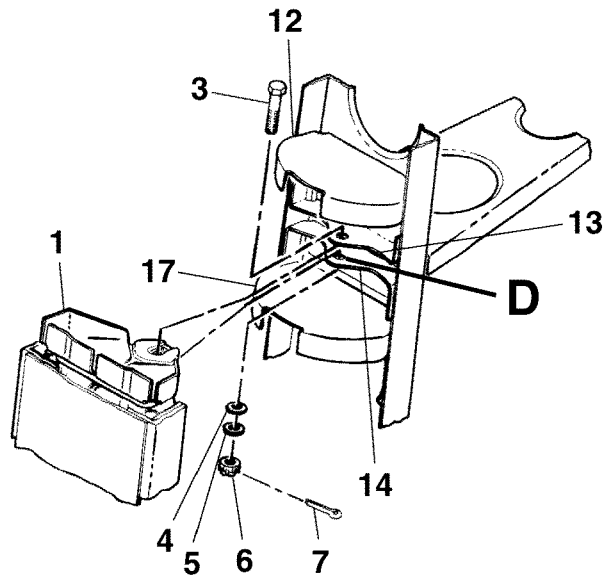
DETAIL D
 TYPICAL



DETAIL A



DETAIL C



DETAIL B

RUDDER INSTALLATION - 208B
 FIGURE 05 (SHEET 1)

26107001
 A2633R1006A
 B2633R1007A
 C2633R1005B
 D2633R067-1

CESSNA®
MODEL 208
ILLUSTRATED PARTS CATALOG

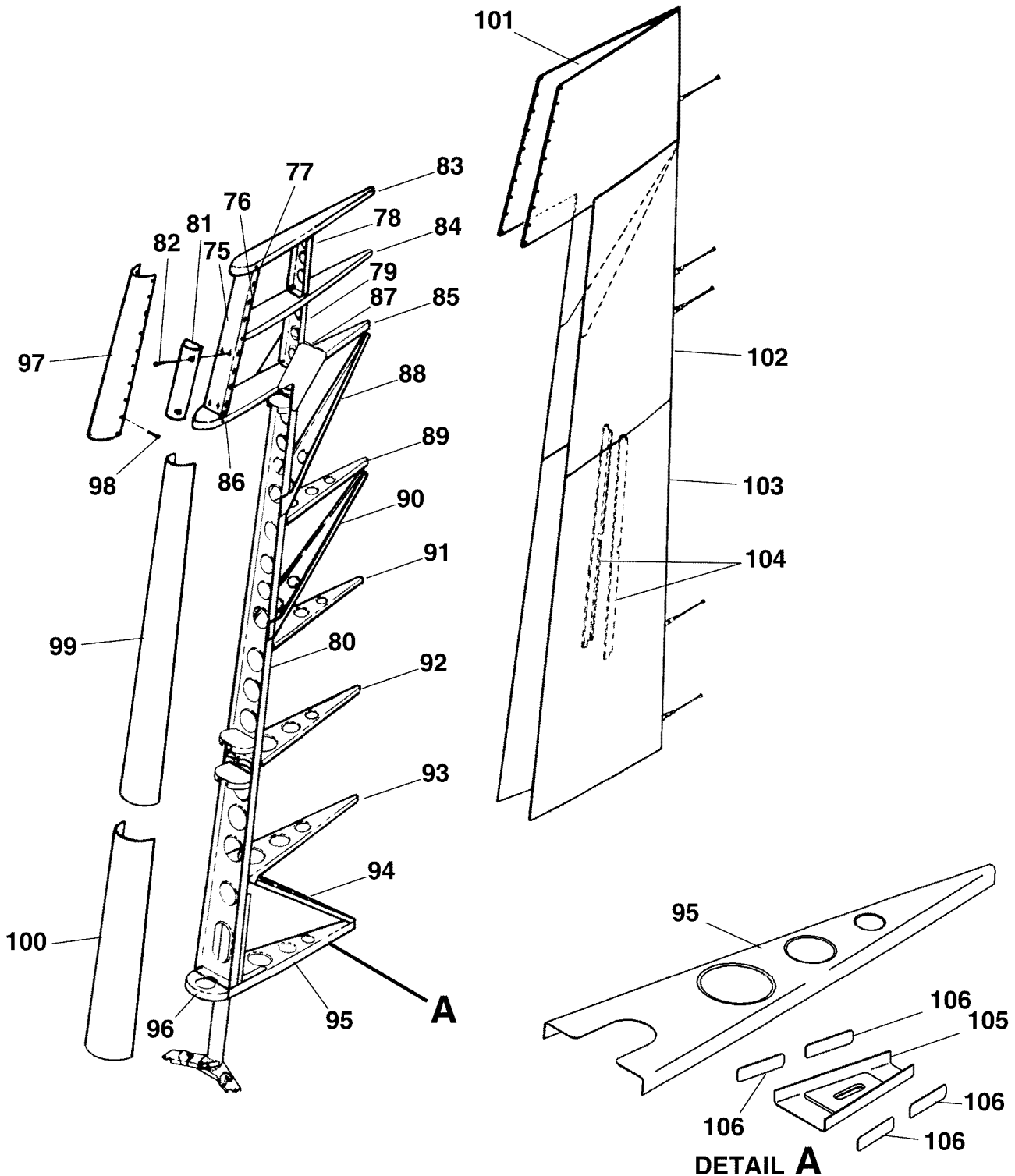
FIG ITEM	PART NUMBER	NOMENCLATURE	UNITS PER ASSY	
			1 2 3 4 5 6 7	
05		RUDDER INSTALLATION - 208B REFER TO NOTE 1		RF
-		. VERTICAL FIN INSTALLATION REFER TO 55-30-00 FIGURE 04		RF
1		. RUDDER ASSY FSO 2633000-41	B0319	B1042 NP
2	2633000-36	. RUDDER ASSY FSO 2633000-41	B1043	B2214 NP
- 2A	2633000-40	. RUDDER ASSY REF 2630000 REFER TO NOTE 2	B2215	B2258 01
- 2B	DDA06115-1	. RUDDER ASSY	B2259	& ON 01
- 2C	2633000-41	ATTACHING PARTS		
		. BOLT		03
3	AN4-12	. WASHER UNDER NUT		03
4	NAS1149F0463P	. WASHER UNDER NUT		02
5	NAS1149F0432P	. NUT		03
6	MS17825-4	. COTTER PIN		03
7	MS24665-134	—*		
8	2633068-1	. . . HINGE BRACKET ASSY UPR		01
9	5522876-1	. . . SPACER		02
10	NAS1149F0663P	. . . WASHER		02
11	2633024-1	. . . RIB-WL 204.38 .020 2024 T42		01
12	2633024-2	. . . RIB-WL 164.13 .020 2024 T42		01
13	2633067-2	. . . HINGE BRACKET ASSY-UPR CENTER .050 2024 T3		01
14	2633067-1	. . . HINGE BRACKET ASSY-LWR CENTER .050 2024 T3		01
15	5522876-1	. . . SPACER		02
16	NAS1149F0663P	. . . WASHER		02
17	2633024-3	. . . RIB-WL 160.13 .020 2024 T42		01
18	2633066-1	. . . TORQUE TUBE ASSY-RUDDER FSO 2633066-5	B0319	B1042 NP
- 18A	2633066-3	. . . TORQUE TUBE ASSY-RUDDER FSO 2633066-5	B1043	B2214 NP
- 18B	DDA06115-2	. . . TORQUE TUBE ASSY-RUDDER REF 2630000 REFER TO NOTE 2	B2215	B2258 01
- 18C	2633066-5	. . . TORQUE TUBE ASSY-RUDDER	B2259	& ON 01
19	5522876-1	. . . SPACER		02
20	NAS1149F0663P	. . . WASHER		02

NOTE 1—AIRPLANES -B0319 & ON AND AIRPLANES -B0001 THRU -B0318 INCORPORATING SK208-99, SK208-104, & SK208-105.

NOTE 2—WHEN ORDERING DDA PART NUMBERS, ALSO PROVIDE REFERENCE DRAWING NUMBER SHOWN IN NOMENCLATURE COLUMN.

CESSNA®
MODEL 208
 II ILLUSTRATED PARTS CATALOG

A24659



AIRPLANES 208B0382 AND ON 26332001
A2614T1186

RUDDER INSTALLATION - 208B
 FIGURE 05 (SHEET 2)

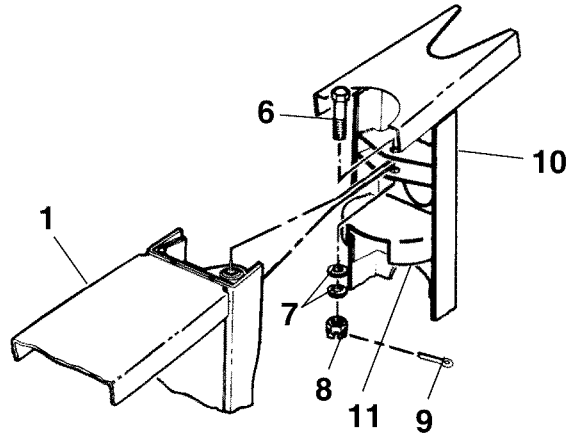
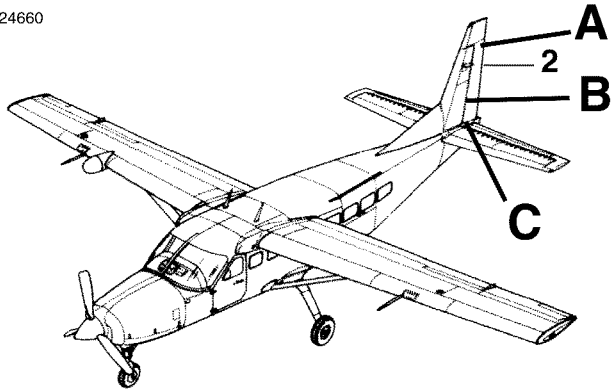
CESSNA®
MODEL 208
ILLUSTRATED PARTS CATALOG

FIG ITEM	PART NUMBER	1 2 3 4 5 6 7	NOMENCLATURE	UNITS	
				PER	ASSY
05					
75	2633061-1		.. SPAR ASSY-RUDDER UPR FWD .032 2024 T42		01
76	MS21047L3		.. NUTPLATE		18
77	MS21071L3		.. NUTPLATE		02
78	2633036-1		.. SPAR RUDDER UPR .025 2024 T42		01
79	2633005-1		.. SPAR RUDDER .025 2024 T42		01
80	2633025-2		.. SPAR-RUDDER LWR .032 2024 T42		01
81	2633026-2		.. BALANCE WEIGHT-RUDDER FSO 2633026-3	B0319 B0421	NP
- 81A	2633026-3		.. BALANCE WEIGHT-RUDDER	B0422 & ON	01
			ATTACHING PARTS		
82	AN3-10A		.. BOLT		04
			—*—		
83	2633058-1		.. RIB WL 225.50 .025 2024 T42		01
84	2633059-1		.. RIB ASSY WL 217.50 .032 2024 T42		01
85	2633060-1		.. RIB ASSY WL 208.50 .032 2024 T42		01
86	MS21047L3K		.. NUTPLATE		02
87	2633033-2		.. GUSSET-RUDDER .025 2024 T42		02
88	2633032-1		.. RIB CANTED WL 191.02 .025 2024 T42		01
89	2633004-1		.. RIB WL 191.00 .020 2024 T42		01
90	2633039-1		.. RIB CANTED WL 176.64 .025 2024 T42		01
91	2633003-1		.. RIB WL 176.00 .020 2024 T42		01
92	2633002-1		.. RIB WL 162.00 .020 2024 T42		01
93	2633001-1		.. RIB WL 148.00 .020 2024 T42		01
94	2633028-1		.. RIB CANTED WL 148.00 .020 2024 T42		01
95	2633016-1		.. RIB CANTED WL 134.99 .032 2024 T42 REFER TO NOTE 1	B0319 B1042	NP
- 95A	2633016-4		.. RIB CANTED WL 134.99	B1043 & ON	01
96	2633013-1		.. RIB-NOSE .032 2024 T42		01
97	2633000-29		.. SKIN-NOSE .016 2024 T42		01
			ATTACHING PARTS		
98	AN525-10R6		.. SCREW		20
			—*—		
99	2633000-6		.. SKIN-NOSE CTR .020 2024 T42		01
100	2633000-10		.. SKIN-NOSE LWR .020 2024 T42		01
101	2633000-30		.. SKIN-UPR .025 2024 T42		01
102	2633000-23		.. SKIN ASSY-CTR .016 2024 T42		01
103	2633000-26		.. SKIN ASSY-LWR .020 2024 T42		01
104	2633000-12		.. STIFFENER .016 2024 T42		02
105	AT-RL1027		.. STRIKE PLATE ASSY-RUDDER LOCK	V0TVR6 B0382 & ON	01
106	AT-RL1018		.. SHIM-RUDDER LOCK STRIKE PLATE	V0TVR6 B0382 & ON	04
- 107	2633070-1		.. SHIM-BALANCE WEIGHT SHIM	V0TVR6 B5422 & ON	AR R

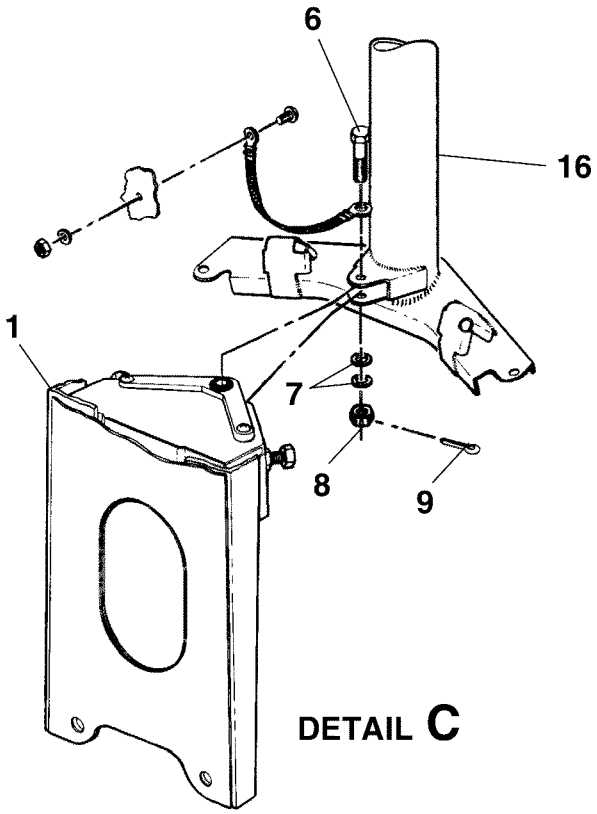
NOTE 1—FOR SPARES USE 2633016-4 AND SK208-149.

CESSNA®
MODEL 208
ILLUSTRATED PARTS CATALOG

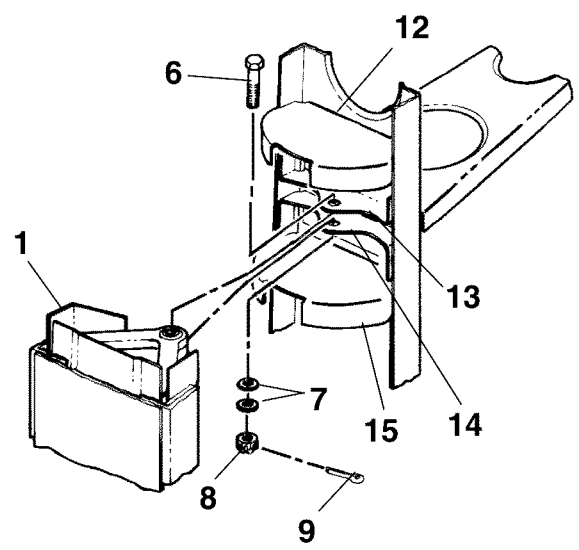
A24660



DETAIL A



DETAIL C



DETAIL B

26107001
A26331006
B26331007
C26331005

RUDDER INSTALLATION LONG CHORD - 208
FIGURE 06 (SHEET 1)

CESSNA®
MODEL 208
ILLUSTRATED PARTS CATALOG

FIG ITEM	PART NUMBER	NOMENCLATURE	UNITS	
			PER	ASSY
		1 2 3 4 5 6 7		
06		RUDDER INSTALLATION LONG CHORD - 208 REFER TO NOTE 1		RF
-		. VERTICAL FIN INSTALLATION REFER TO 55-30-00 FIGURE 01		RF
1		. RUDDER ASSY FSO 2633063-28 REFER TO NOTE 2	0146	0193 NP R
2	2633063-1	. RUDDER ASSY FSO 2633063-28 REFER TO NOTE 2	0194	0199 NP R
- 3	2633063-15	. RUDDER ASSY FSO 2633063-28 REFER TO NOTE 2	0200	0215 NP R
- 4	2633063-16	. RUDDER ASSY FSO 2633063-28 REFER TO NOTE 2	0216	0221 NP R
- 5	2633063-17	. RUDDER ASSY FSO 2633063-28 REFER TO NOTE 2		NP R
- 5A	2633063-26	. RUDDER ASSY FSO 2633063-28 REFER TO NOTE 2		NP R
- 5B	2633063-28	. RUDDER ASSY-FOR SPARES REFER TO NOTE 2		01 R
		ATTACHING PARTS		
6	AN4-11	. BOLT		03
7	NAS1149F0463P	. WASHER		06
8	MS17825-4	. NUT		03
9	MS24665-134	. COTTER PIN		03
		**_		
10	2633034-5	. . HINGE ASSY-UPR		01
11	2633024-1	. . RIB-WL 204.38 .020 2024 T42		01
12	2633024-2	. . RIB-WL 164.13.020 2024 T42		01
13	2631013-4	. . BRACKET-HINGE UPR CENTER .050 2024 T42		01
14	2631013-3	. . BRACKET-HINGE LWR CENTER .050 2024 T42		01
15	2633024-3	. . RIB-WL 160.13 .020 2024 T42		01
16	2633022-1	. . TORQUE TUBE ASSY-RUDDER FSO 2633066-5	0146	0199 NP R
- 17	2633022-3	. . TORQUE TUBE ASSY-RUDDER FSO 2633066-5	0200	0221 01 R
- 18	2633066-3	. . TORQUE TUBE ASSY-RUDDER SPARES FSO 2633066-5		NP R
- 18A	2633066-5	. . TORQUE TUBE ASSY-RUDDER SPARES		01 R

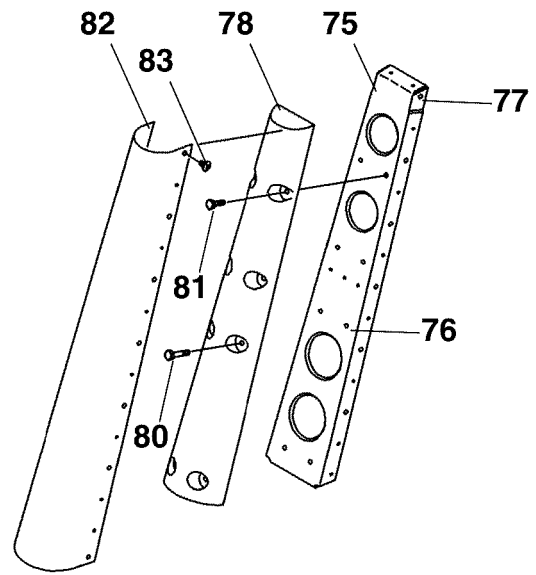
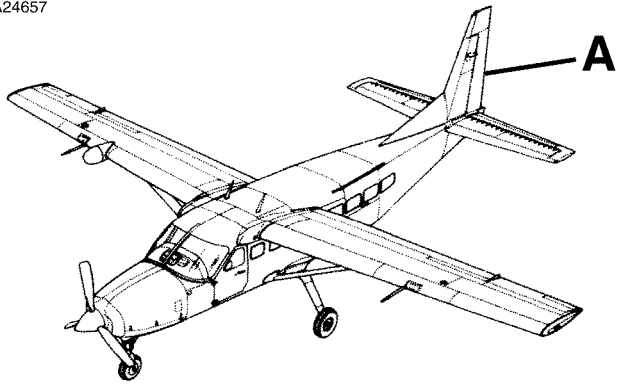
NOTE 1—AIRPLANES -0146 THRU -0221 NOT INCORPORATING SK208-99, SK208-104, AND SK208-105.

NOTE 2—WHEN REPLACING THE 2633063-1, 2633063-15, -16, OR -17 RUDDER ASSEMBLY WITH THE 2633063-28 RUDDER ASSEMBLY SPARE, YOU MUST FIRST COMPLY WITH SK208-99, SK208-104, AND SK208-105.

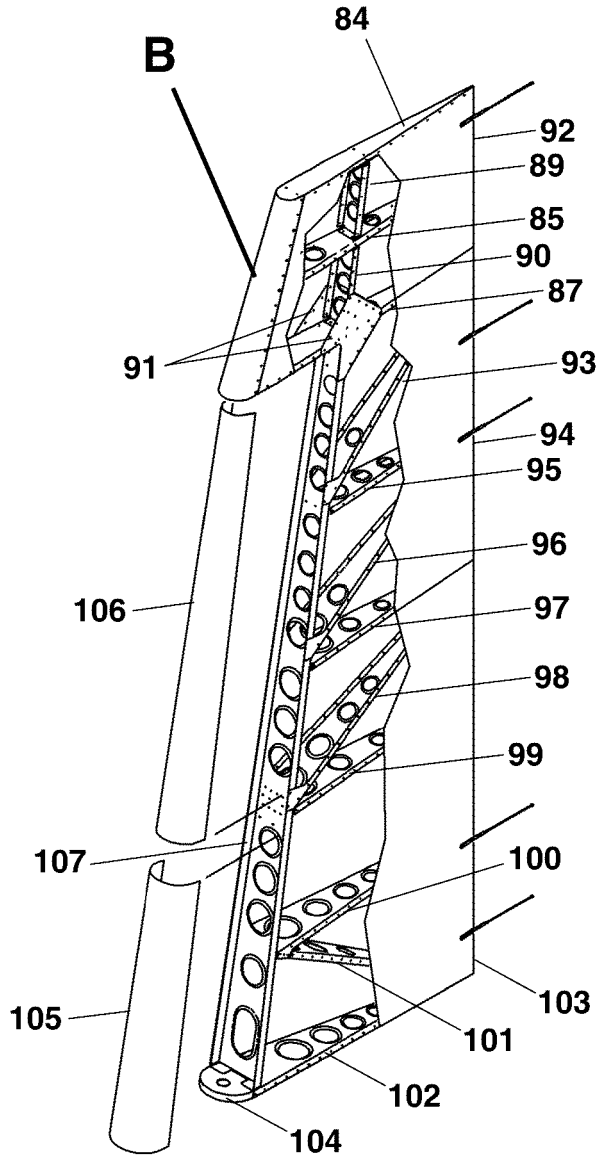
R

CESSNA®
MODEL 208
 ILLUSTRATED PARTS CATALOG

A24657



DETAIL A



DETAIL A

RUDDER INSTALLATION LONG CHORD - 208
 FIGURE 06 (SHEET 2)

26107001
 A2633T1001
 B2633T1001

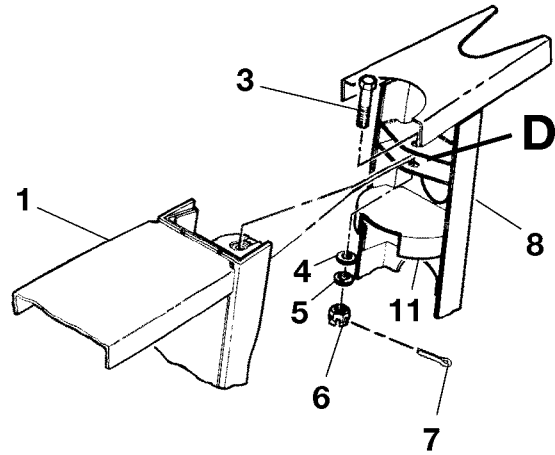
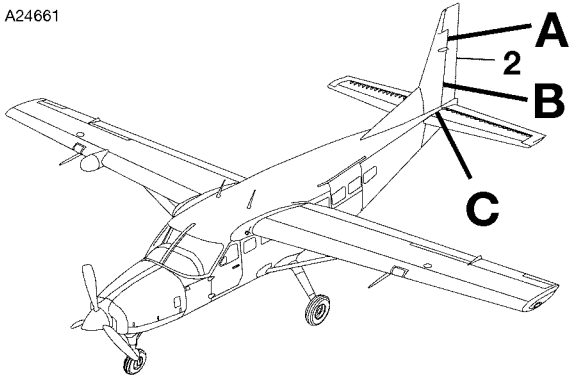
CESSNA®
MODEL 208
ILLUSTRATED PARTS CATALOG

FIG ITEM	PART NUMBER	1 2 3 4 5 6 7	NOMENCLATURE	UNITS PER ASSY		
06						
75	2633046-1		SUPPORT ASSY-RUDDER			01
76	MS21047L3		NUTPLATE			16
77	MS21071L3		NUTPLATE			02
78	2633062-1		WEIGHT-RUDDER TIP FSO 2633062-3	0146	0215	NP
- 79	2633062-2		WEIGHT-RUDDER BALANCE FSO 2633062-3	0216	0221	NP
- 79A	2633062-3		WEIGHT-RUDDER BALANCE ATTACHING PARTS			01
80	AN3-10A		BOLT			04
81	AN3-5A		BOLT			04
			*—			
82	2633063-11		SKIN-BALANCE ATTACHING PARTS			01
83	AN525-10R6		SCREW			14
			*—			
84	2633047-1		RIB-RUDDER WL 225.50			01
85	2633048-1		RIB ASSY-RUDDER WL 217.50			01
- 86	MS21071L3		NUTPLATE			02
87	2633050-1		RIB ASSY-RUDDER WL 208.50			01
- 88	MS21047L3		NUTPLATE			02
89	2633036-1		SPAR-RUDDER .025 2024 T42			01
90	2633005-1		FAIRING ASSY-RUDDER .025 2024 T42			01
91	2633033-2		GUSSET .025 2024 T42			02
92	2633063-2		SKIN-UPPER RUDDER .025 2024 T3			01
93	2633051-1		RIB-RUDDER .025 2024 T42			01
94	2633063-3		SKIN ASSY-CENTER RUDDER .016 2024 T3			01
95	2633052-1		RIB-RUDDER WL 191.00 .020 2024 T42			01
96	2633053-1		RIB-RUDDER .025 2024 T42			01
97	2633044-1		RIB-RUDDER WL 176.00 .020 2024 T42			01
98	2633057-1		RIB-RUDDER .025 2024 T42			01
99	2633043-1		RIB-RUDDER WL 162.00 .020 2024 T42			01
100	2633041-1		RIB-RUDDER WL 148.00 .020 2024 T42			01
101	2633042-1		RIB-RUDDER .020 2024 T42			01
102	2633054-1		RIB-RUDDER CTD WL 134.99 .032 2024 T42 REFER TO NOTE 1			NP
103	2633063-7		SKIN ASSY-LOWER RUDDER .020 2024 T3			01
104	2633013-1		RIB-NOSE .032 2024 T42			01
105	2633000-10		SKIN-NOSE LOWER .020 2024 T42			01
106	2633000-6		SKIN-NOSE UPPER .020 2024 T42			01
107	2633025-2		SPAR-RUDDER .032 2024 T42			01

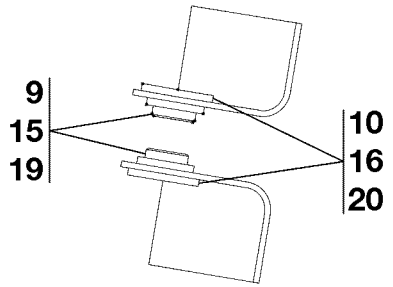
NOTE 1—FOR SPARES USE 2633016-4 AND SK208-149.

CESSNA®
MODEL 208
 ILLUSTRATED PARTS CATALOG

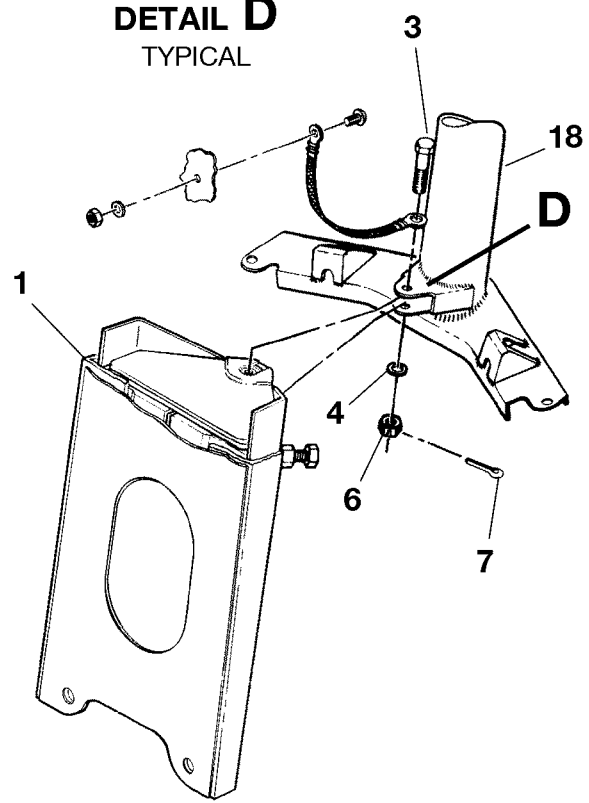
A24661



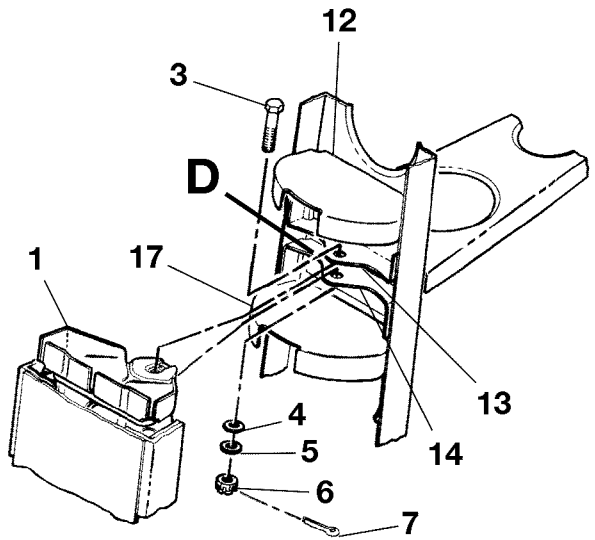
DETAIL A



DETAIL D
 TYPICAL



DETAIL C



DETAIL B

RUDDER INSTALLATION LONG CHORD - 208
 FIGURE 07 (SHEET 1)

261077005
 A2633R1006A
 B2633R1007A
 C2633R1005B
 D2633T1011

CESSNA®
MODEL 208
ILLUSTRATED PARTS CATALOG

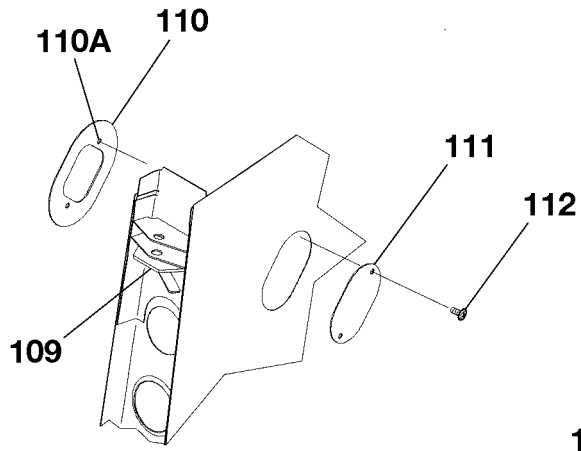
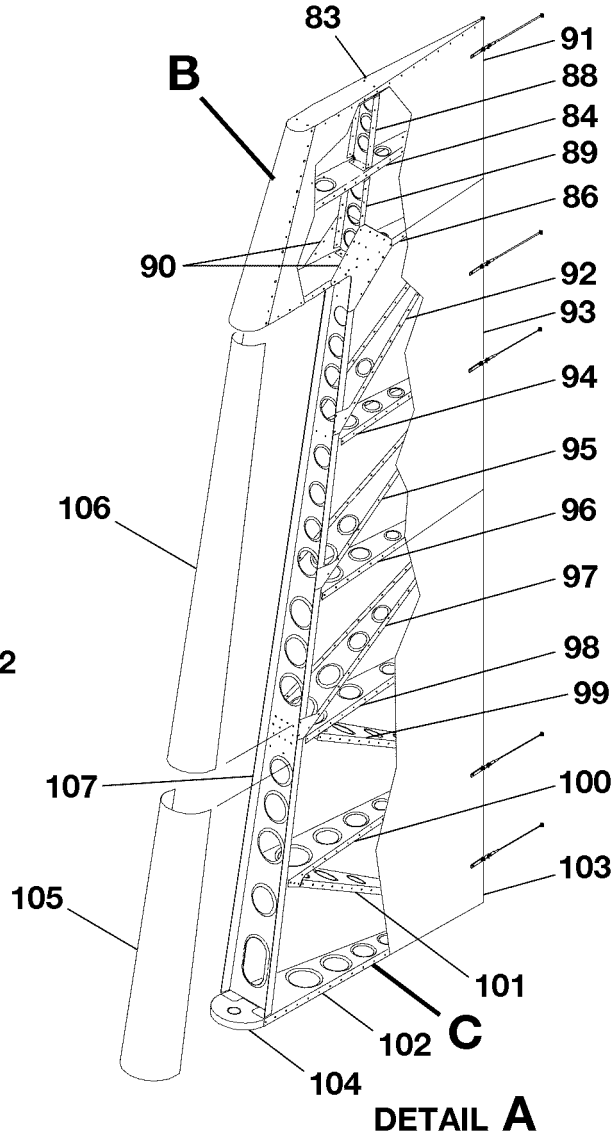
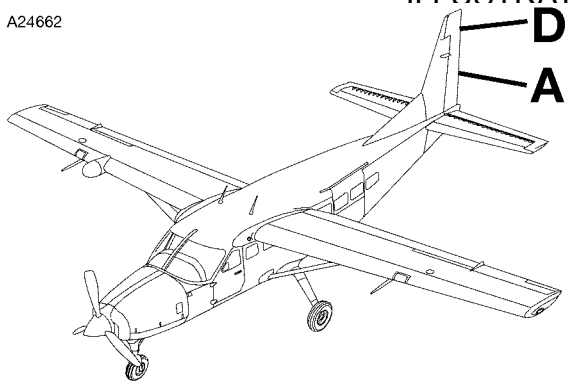
FIG ITEM	PART NUMBER	NOMENCLATURE	UNITS PER ASSY	
			1 2 3 4 5 6 7	
07		RUDDER INSTALLATION LONG CHORD - 208 REFER TO NOTE 1		RF
-		. VERTICAL FIN INSTALLATION REFER TO 55-30-00 FIGURE 02		RF
1		. RUDDER ASSY FSO 2633063-28	0222	0267 NP
2	2633063-18	. RUDDER ASSY FSO 2633063-28	0268	0332 NP
- 2A	2633063-19	. RUDDER ASSY FSO 2633063-28	0333	0355 NP
- 2B	2633063-22	. RUDDER ASSY FSO 2633063-28	0356	0370 NP
- 2C	2633063-25	. RUDDER ASSY FSO 2633063-28	0371	0523 NP
- 2D	2633063-26	. RUDDER ASSY FSO 2633063-28	0524	0525 01
- 2E	DDA06208-1	. RUDDER ASSY REF 2630000 REFER TO NOTE 2	0526	0568 NP
- 2F	2633063-27	. RUDDER ASSY FSO 2633063-28	0569	& ON 01
- 2G	2633063-28	. RUDDER ASSY		
		ATTACHING PARTS		
3	AN4-12	. BOLT		03
4	NAS1149F0463P	. WASHER UNDER NUT		03
5	NAS1149F0432P	. WASHER UNDER NUT		02
6	MS17825-4	. NUT		03
7	MS24665-134	. COTTER PIN		03
		—*—		
8	2633068-1	. . HINGE BRACKET ASSY UPR		01
9	5522876-1	. . . SPACER		02
10	NAS1149F0663P	. . . WASHER		02
11	2633024-1	. . RIB-NOSE WL 204.38 .020 2024 T42		01
12	2633024-2	. . RIB-NOSE WL 164.13 .020 2024 T42		01
13	2633067-2	. . HINGE BRACKET ASSY-UPR-CENTER		01
14	2633067-1	. . HINGE BRACKET ASSY-LWR-CENTER		01
15	5522876-1	. . . SPACER		02
16	NAS1149F0663P	. . . WASHER		02
17	2633024-3	. . RIB-NOSE WL 160.13 .020 2024 T42		01
18	2633066-1	. . TORQUE TUBE ASSY-RUDDER FSO 2633066-5	0222	0370 NP
- 18A	2633066-3	. . TORQUE TUBE ASSY-RUDDER FSO 2633066-5	0371	0523 NP
- 18B	DDA06208-2	. . TORQUE TUBE ASSY-RUDDER REF 2633000 REFER TO NOTE 2	0524	0525 NP
- 18C	2633066-5	. . TORQUE TUBE ASSY-RUDDER	0526	& ON 01
19	5522876-1	. . . SPACER		02
20	NAS1149F0663P	. . . WASHER		02

NOTE 1—AIRPLANES -0222 & ON AND AIRPLANES -0146 THRU -0221 INCORPORATING SK208-99, SK208-104 & SK208-105.

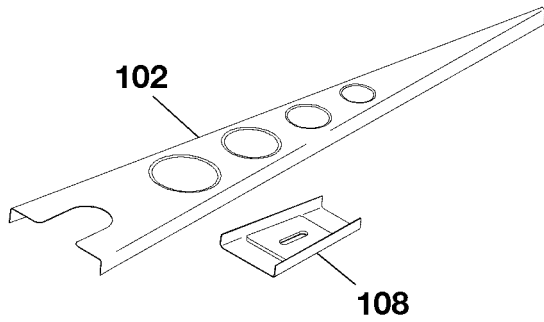
NOTE 2—WHEN ORDERING DDA PART NUMBERS, ALSO PROVIDE REFERENCE DRAWING NUMBER SHOWN IN NOMENCLATURE COLUMN.

CESSNA®
MODEL 208
 ILLUSTRATED PARTS CATALOG

A24662

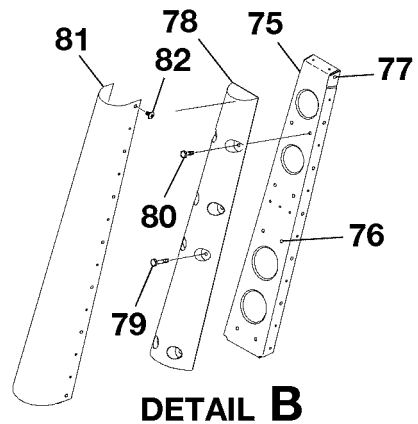


DETAIL D



DETAIL C

AIRPLANES 20800237 AND ON



DETAIL B

2610T7005
 A2633T1001
 B2633T1001
 C2614T1187
 D2662T1008

RUDDER INSTALLATION LONG CHORD - 208
 FIGURE 07 (SHEET 2)

CESSNA®
MODEL 208
ILLUSTRATED PARTS CATALOG

FIG ITEM	PART NUMBER	NOMENCLATURE	UNITS PER ASSY		
			1	2	3
07					
75	2633046-1	SUPPORT ASSY-RUDDER FSO 2633046-3	0222	0267	NP
- 75A	2633046-3	SUPPORT ASSY-RUDDER	0268	& ON	01
76	MS21047L3	NUTPLATE			16
77	MS21071L3	NUTPLATE	0222	0267	02
- 77A	MS21051L3	NUTPLATE	0268	& ON	02
78	2633062-2	WEIGHT-RUDDER BALANCE FSO 2633062-3	0222	0332	NP
- 78A	2633062-3	WEIGHT-RUDDER BALANCE	0333	& ON	01
- 78B	2633070-2	WEIGHT-RUDDER BALANCE	0603	& ON	01 R
		ATTACHING PARTS			
79	AN3-10A	BOLT			04
80	AN3-5A	BOLT			04
		—*—			
81	2633063-11	SKIN-BALANCE	0222	0267	01
- 81A	2633063-21	SKIN-BALANCE	0268	& ON	01
		ATTACHING PARTS			
82	AN525-10R6	SCREW	0222	0267	14
- 82A	AN525-10R6	SCREW	0268	& ON	16
		—*—			
83	2633047-1	RIB-RUDDER WL 225.50 .025 2024 T42			01
84	2633048-1	RIB ASSY-RUDDER WL 217.50 .032 2024 T42			01
- 85	MS21071L3	NUTPLATE			02
86	2633050-1	RIB ASSY-RUDDER WL 208.50 .032 2024 T42			01
- 87	MS21047L3	NUTPLATE			02
88	2633036-1	SPAR-RUDDER .025 2024 T42			01
89	2630005-1	FAIRING ASSY-RUDDER .025 2024 T42			01
90	2633033-2	GUSSET .025 2024 T42			02
91	2633063-2	SKIN-UPPER RUDDER .025 2024 T3	0222	0267	01
- 91A	2633063-20	SKIN-UPPER RUDDER	0268	& ON	01
92	2633051-1	RIB-RUDDER .025 2024 T42			01
93	2633063-3	SKIN ASSY-CENTER RUDDER .16 2024 T3	0222	0355	01
- 93A	2633063-23	SKIN ASSY-CENTER RUDDER	0356	& ON	01
94	2633052-1	RIB-RUDDER WL 191.00 .020 2024 T42			01
95	2633053-1	RIB-RUDDER .025 2024 T42			01
96	2633044-1	RIB-RUDDER WL 176.00 .020 2024 T42			01
97	2633057-1	RIB-RUDDER .025 2024 T42			01
98	2633043-1	RIB-RUDDER WL 162.00 .020 2024 T42			01
- 98A	2633043-1	RIB REF 2630000 DDA06633	0556	0558	01
			0560	0568	
			0569	& ON	01
99	2633045-1	RIB-CANTED RUDDER .020 2024 T42			01
100	2633041-1	RIB-RUDDER WL 148.00 .020 2024 T42			01
101	2633042-1	RIB-RUDDER .020 2024 T42			01
102	2633054-1	RIB-RUDDER CTD WL 134.99 .032 2024 T42 REFER TO NOTE 1	0222	0370	NP
- 102A	2633054-2	RIB-RUDDER	0371	& ON	01
103	2633063-7	SKIN ASSY-LOWER RUDDER .020 2024 T3	0222	0355	01
- 103A	2633063-24	SKIN ASSY-LOWER RUDDER	0356	& ON	01
104	2633013-1	RIB-NOSE .032 2024 T42			01
105	2633000-10	SKIN-NOSE LOWER .020 2024 T42			01
106	2633000-6	SKIN-NOSE UPPER .020 2024 T42			01
107	2633025-2	RUDDER SPAR .032 2024 T42			01
108	AT-RL1030	RUDDER STRIKE PLATE	VOTVR6	0237	& ON
109	2690015-1	GAUGE ASSY	0370	0388	02
110	2693008-1	DOUBLER ASSY	0370	0388	02
110A	MS21059L3	NUTPLATE			04
111	2693008-3	COVER	0370	0388	02
		ATTACHING PARTS			
112	AN525-10R7	SCREW	0370	0388	04
		—*—			

NOTE 1—FOR SPARES USE 2633016-4 AND SK208-149.